

4

3

2

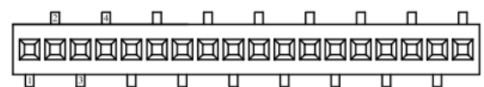
1



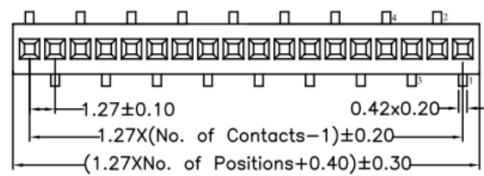
REVISION DATA				
SYM	REV	DESCRIPTION	DATE	APPR.
	00	new part	30.03.17	MR

Electrical
Current rating: 1Amps/contact max.
Contact resistance: $\leq 20m\Omega$ /contact
Isolation resistance: $\geq 1000M\Omega$ at V=100V
Withstanding Voltage: 300V AC/minute

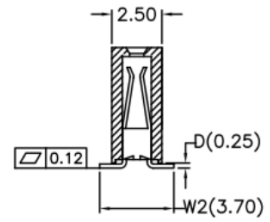
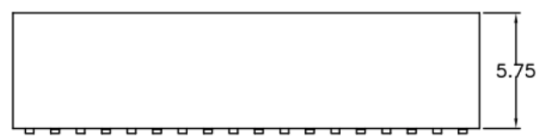
Material
Contact: Phosphor Bronze
Isolator: High Temperature, Thermoplastic UL94V-0
Operating temperature: Gold plated: -55°C to +105°C
 Tin plated: -40°C to +105°C



R1 Type

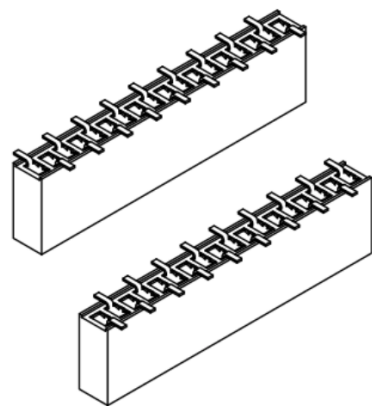
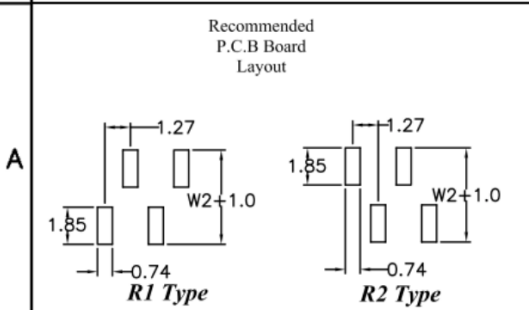


R2 Type



order information

B127155	xx	xx	xx	xx	xx
No. of Positions	Plating Option	R Type	Packaging	Special Customer	
02~40	01= gold flash xx= on request	R1= R1 Type R2= R2 Type	F= tape&reel with cap E= tube&cap xx= on request		



BRCONNECTORS

Single Row Female Header Straight SMT Type

Tolerance: X. ±0.50 .X ±0.35 .XX ±0.25 .XXX ±0.05 X* ±2*	PROJECTON		
	DATE	30.03.2017	Customer Drawing-No.:
	DRAWN	MR	Drawing-No.: 2160807
	CHECKED	BR	
APPROVED	BR		

UNIT: mm SCALE: SIZE: A4