

4

3

2

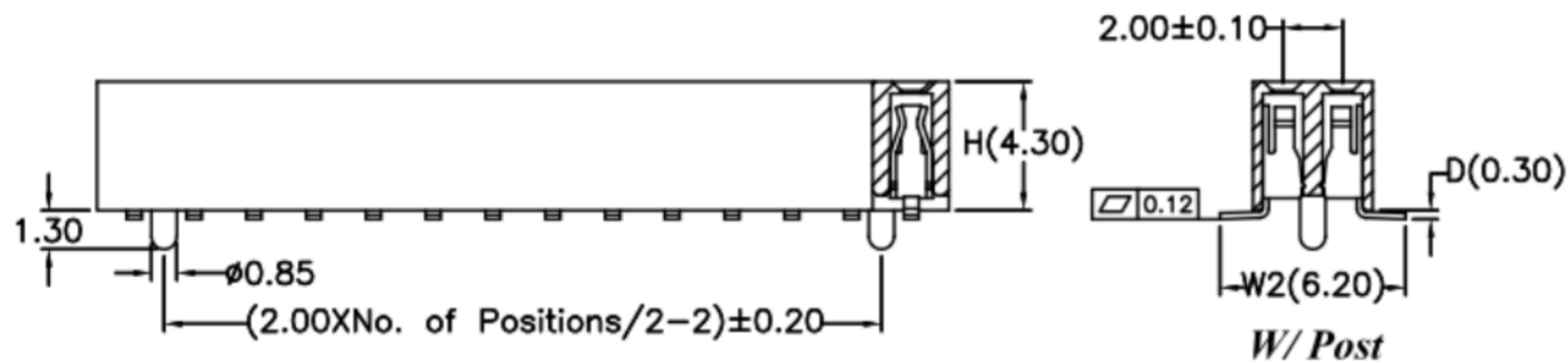
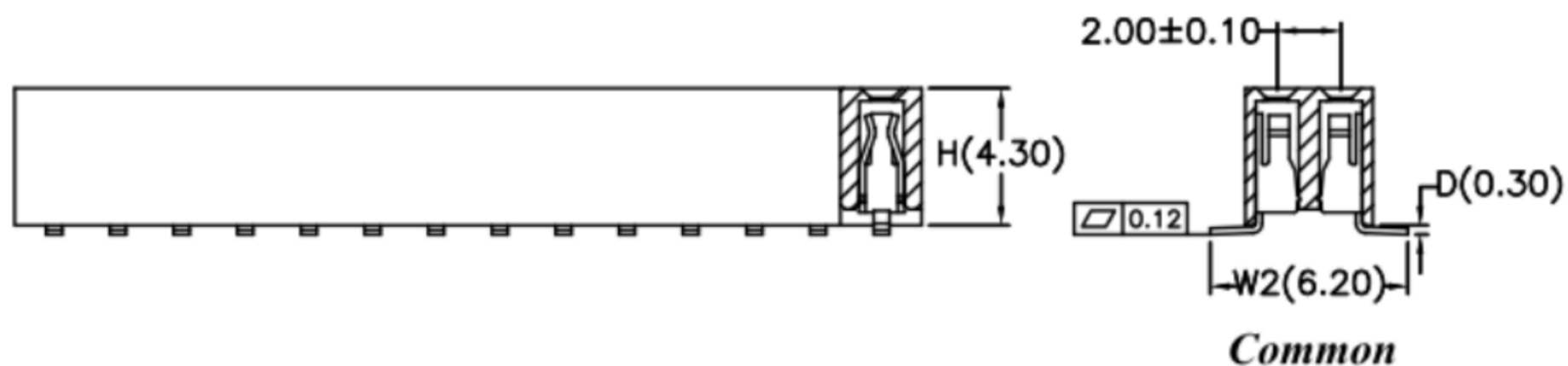
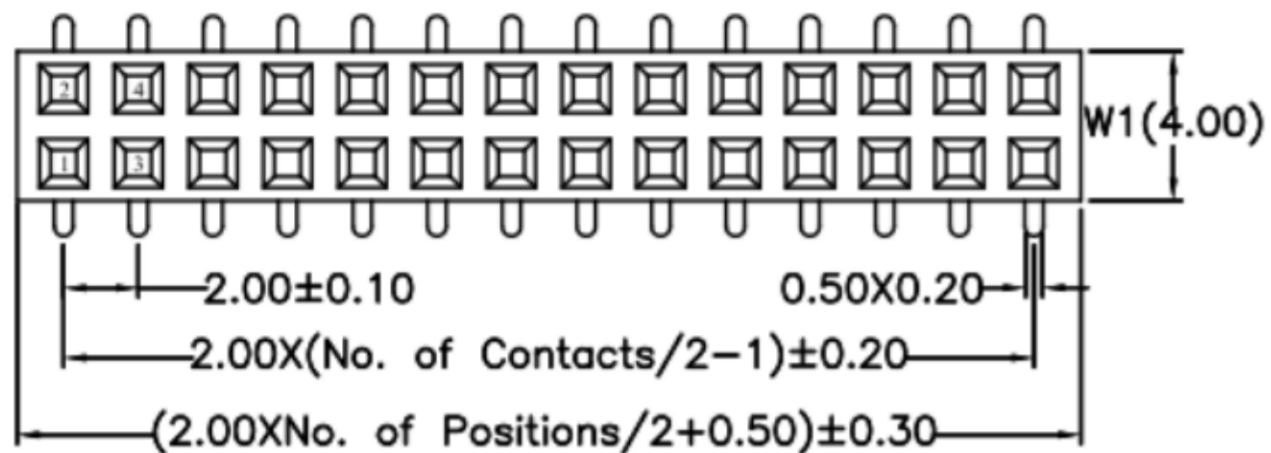
1



REVISION DATA				
SYM	REV	DESCRIPTION	DATE	APPR.
	00	new part	22.03.17	MR
	01	Technical Specifications Updated	11.02.22	SH

Electrical
Current rating: 1,5Amps/contact max.
Contact resistance: $\leq 20m\Omega$ /contact
Isolation resistance: $\geq 1000M\Omega$
Withstanding Voltage: 450V AC/minute

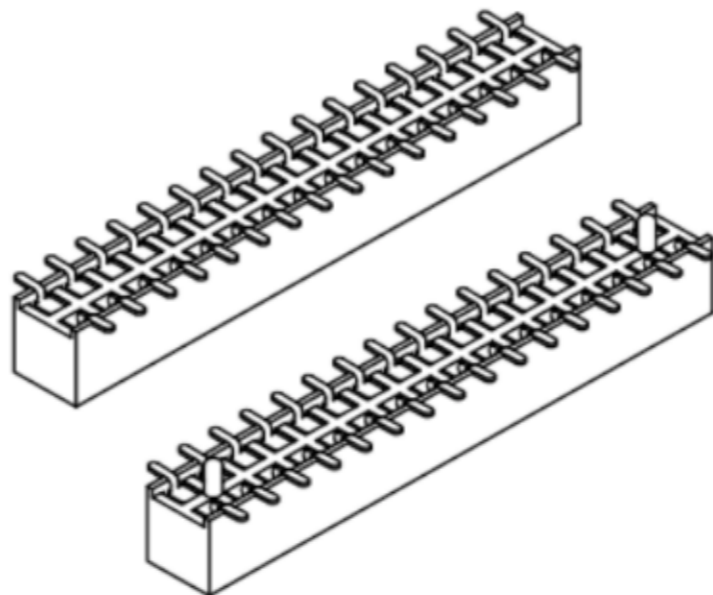
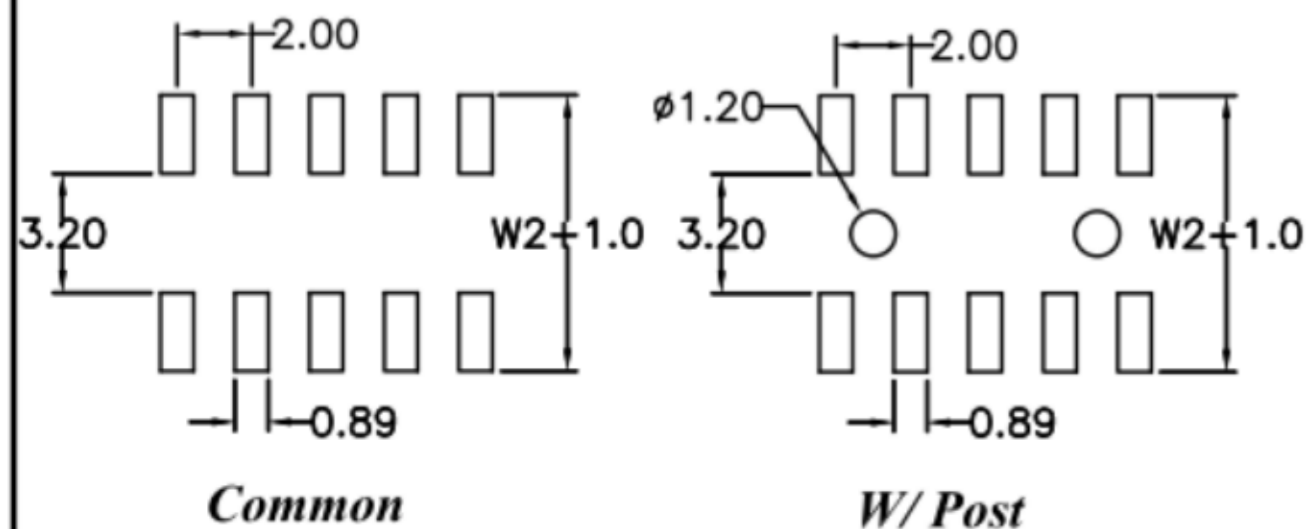
Material
Contact: Phosphor Bronze
Isolator: UL94V-0
Operating temperature: -40°C to +105°C



order information

B200154	XX	XX	XX	XX	XX	XX	XX
No. of Positions	Plating Option	Insulator Height	Type	Packaging	Dimension	Special Customer	
04~80	01= gold flash	21= H= 2.10mm	1= with peg	C= tube	D/ W2	xx= on request	
06~80	xx= on request	40= H= 4.00mm	2= without peg	E= tube&cap	xx= on request		
		43= H= 4.30mm	xx= on request	F= tape&reel with cap			
		46= H= 4.60mm		xx= on request			
		xx= on request					

Recommended P.C.B Board Layout



BRCONNECTORS

Dual Row Female Header Straight SMT Type

Tolerance:

X.	±0.50
.X	±0.35
.XX	±0.25
.XXX	±0.05
.X°	±2°

PROJECTON		
DATE	22.03.2017	Customer Drawing- No.:
DRAWN	MR	Drawing- No.: 2160846
CHECKED	BR	
APPROVED	BR	UNIT: mm SCALE: SIZE: A4