

4

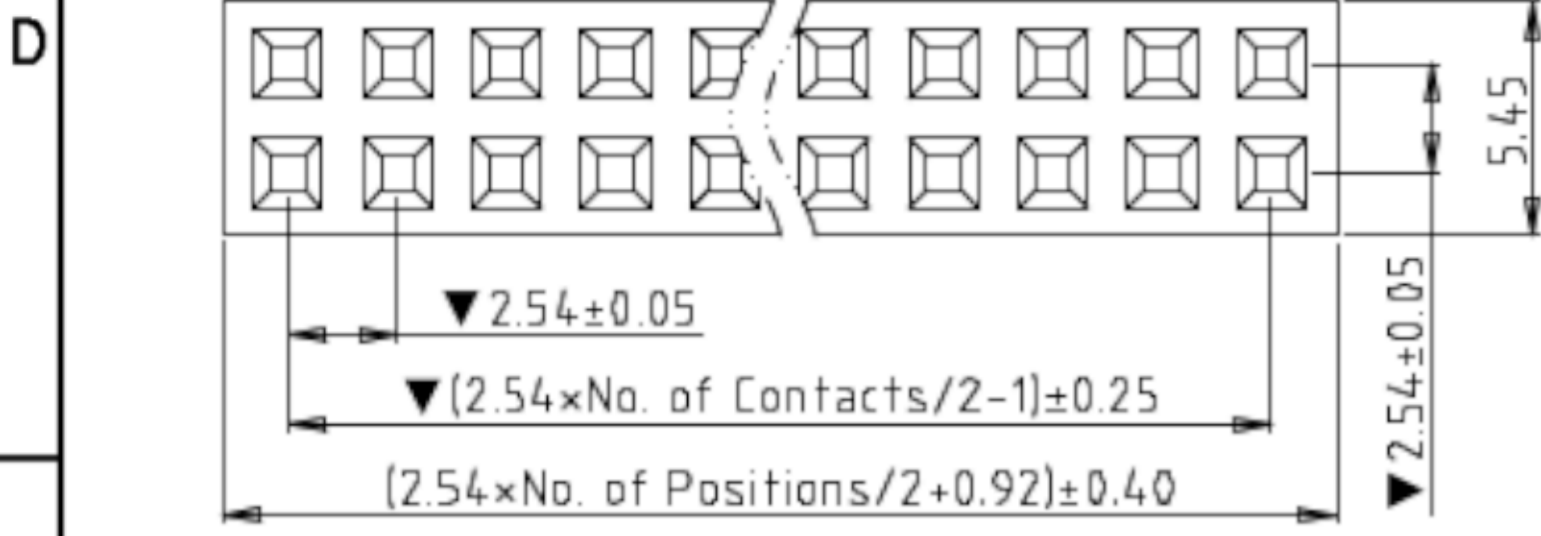
3

2

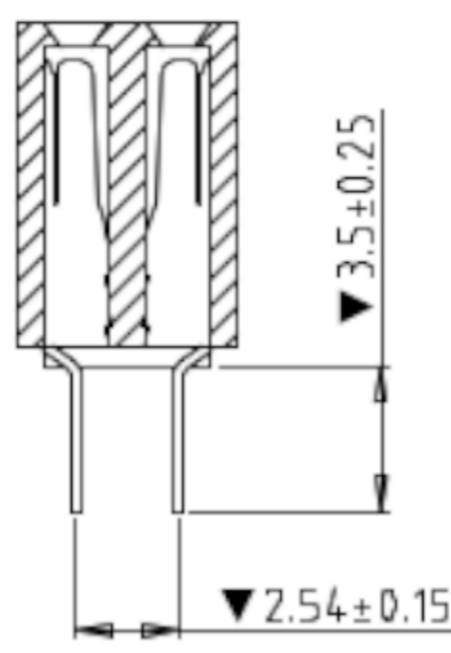
1



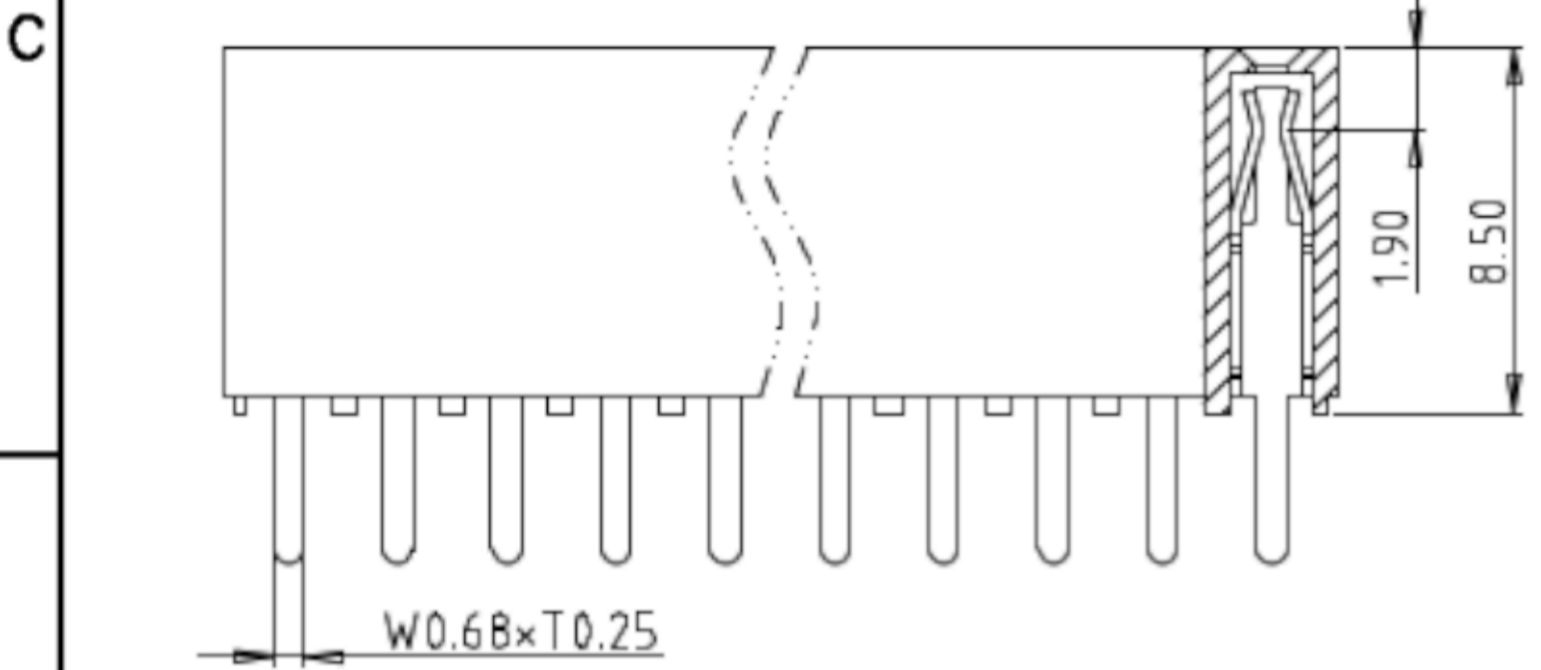
REVISION DATA				
SYM	REV	DESCRIPTION	DATE	APPR.
	00	new part	22.03.17	MR
	01	new order information	28.02.24	MH



Dual Row



Dual Row



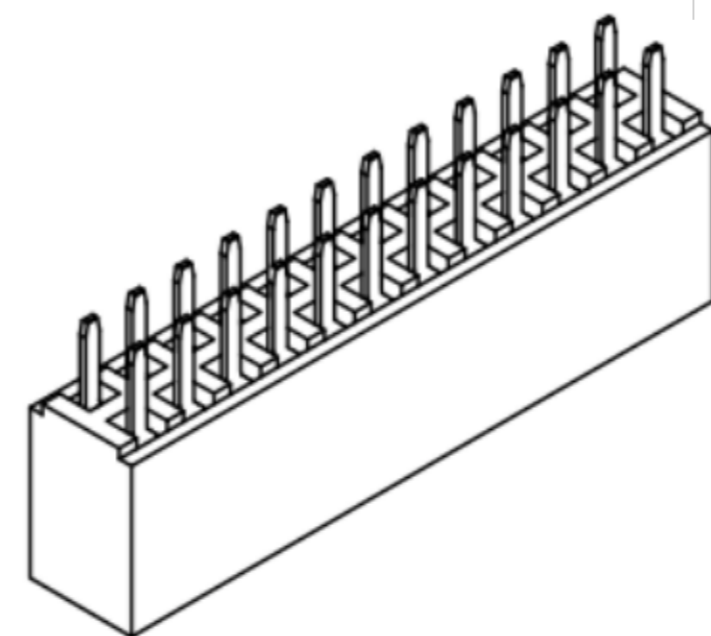
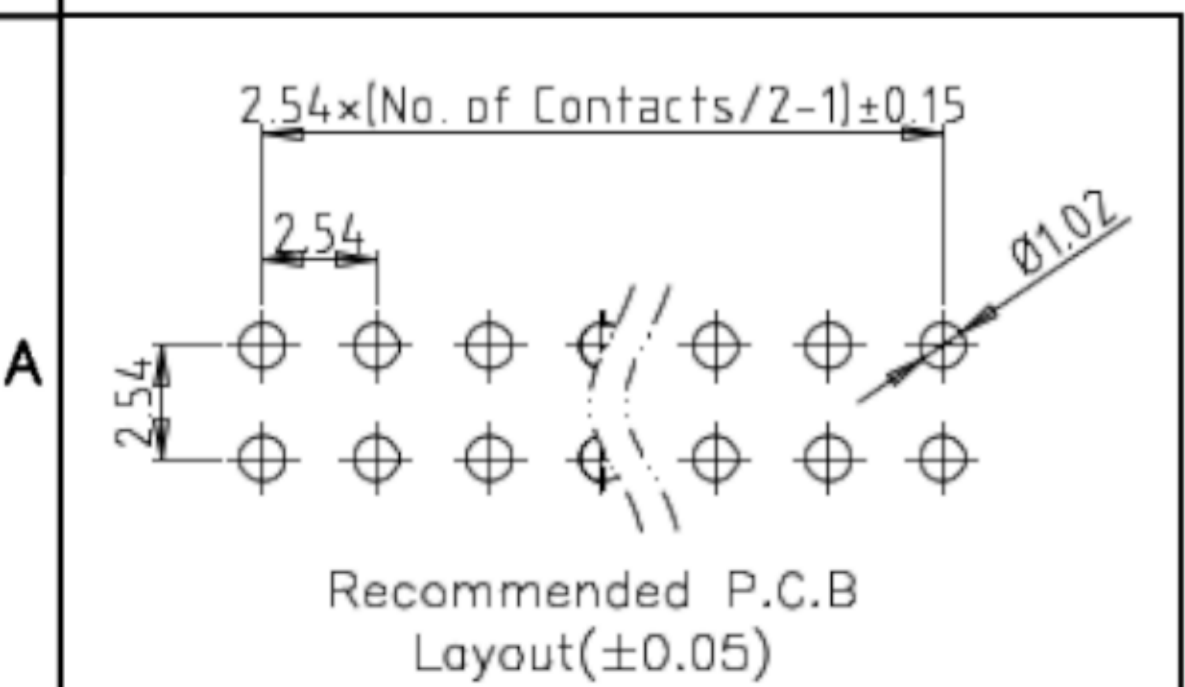
Electrical
Current rating: 3Amps/contact max.
Contact resistance: ≤ 20mΩ/contact
Isolation resistance: ≥ 1000MΩ at V=100V
Withstanding Voltage: 550V AC/minute

Material
Contact: Phosphor Bronze
Isolator: High Temperature, Thermoplastic UL94V-0

Operating temperature: Gold plated: -55°C to +105°C
 Tin plated: -40°C to +105°C

order information

B254112	XX	XX	XX	XX
No. of Positions	Plating Option	Packaging	Special Customer	
04~80	01= gold flash 140= sel.: 10µ" gold/flash gold xx= on request	C= tube H= tape&reel with film xx= on request	xx= on request	



	Dual Row Female Header Straight Type	
	Tolerance:	
	X. ±0.50	PROJECTON
	.X ±0.35	DATE 22.03.2017
	.XX ±0.25	DRAWN MR
.XXX ±0.05	CHECKED BR	Customer Drawing- No.: 2160873
X° ±2°	APPROVED BR	Drawing- No.: 2160873
		UNIT: mm SCALE: SIZE: A4

4

3

2

1