

4

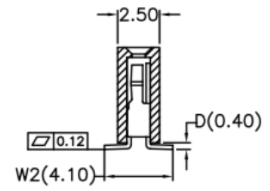
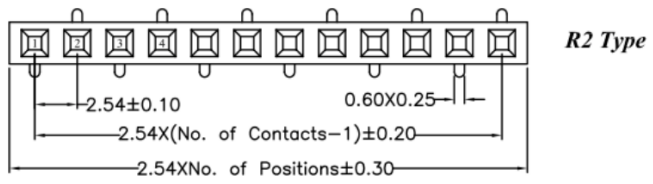
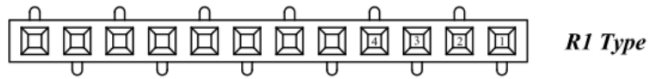
3

2

1



REVISION DATA				
SYM	REV	DESCRIPTION	DATE	APPR.
	00	new part	22.03.17	MR



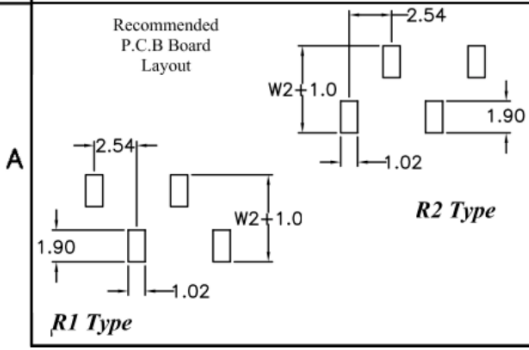
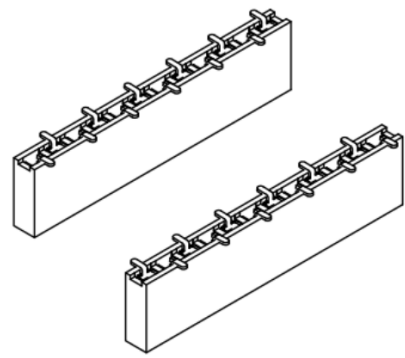
Electrical
 Current rating: 3Amps/contact max.
 Contact resistance: ≤20mΩ/contact
 Isolation resistance: ≥1000MΩ at V=100V
 Withstanding Voltage: 550V AC/minute

Material
 Contact: Phosphor Bronze
 Isolator: High Temperature, Thermoplastic UL94V-0

Operating temperature: Gold plated: -55°C to +105°C
 Tin plated: -40°C to +105°C

order information

B254151	xx	xx	xx	xx	xx	xx
No. of Positions	Plating Option	Insulator Height	R Type	Packaging	Special Customer	
02~40	01= gold flash xx= on request	50= H= 5.00mm 71= H= 7.10mm 85= H= 8.50mm xx= on request	R1= R1 Type R2= R2 Type	F= tape&reel with cap E= tube&cap xx= on request		



	BRCONNECTORS		Single Row Female Header Straight SMT Type			
	PROJECTON		Customer Drawing-No.:			
	DATE	22.03.2017	Drawing-No.: 2160885			
	DRAWN	MR				
CHECKED	BR					
APPROVED	BR					
Tolerance: X. ±0.50 .X ±0.35 .XX ±0.25 .XXX ±0.05 X* ±2*		UNIT: mm		SCALE:	SIZE: A4	