

4

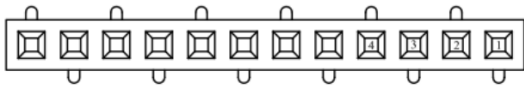
3

2

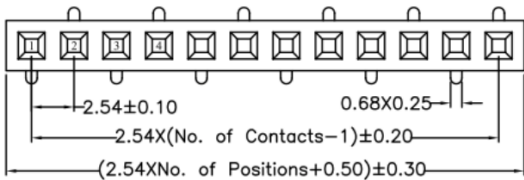
1



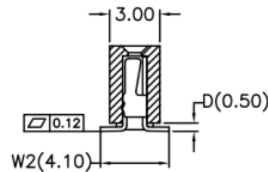
REVISION DATA				
SYM	REV	DESCRIPTION	DATE	APPR.
	00	new part	22.03.17	MR



R1 Type



R2 Type



Electrical

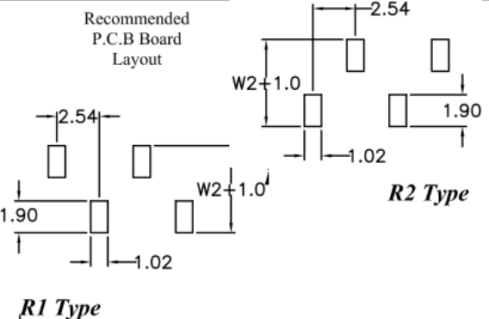
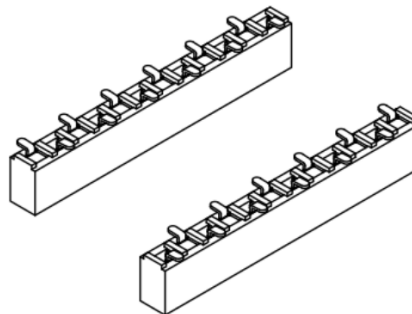
Current rating: 3Amps/contact max.
Contact resistance: $\leq 20m\Omega$ /contact
Isolation resistance: $\geq 1000M\Omega$ at $V=100V$
Withstanding Voltage: 550V AC/minute

Material

Contact: Phosphor Bronze
Isolator: High Temperature, Thermoplastic UL94V-0
Operating temperature: Gold plated: $-55^{\circ}C$ to $+105^{\circ}C$
 Tin plated: $-40^{\circ}C$ to $+105^{\circ}C$

order information

B254153	xx	xx	xx	xx	xx	xx
No. of Positions	Plating Option	Insulator Height	R Type	Packaging	Special Customer	
02~40	01= gold flash xx= on request	50= H= 5.00mm 71= H= 7.10mm 85= H= 8.50mm xx= on request	R1= R1 Type R2= R2 Type	F= tape&reel with cap E= tube&cap xx= on request		



PROJECTON

DATE 22.03.2017

DRAWN MR

CHECKED BR

APPROVED BR

Customer Drawing-No.:

Drawing-No.: 2160884

UNIT: mm

SCALE:

SIZE: A4