

4

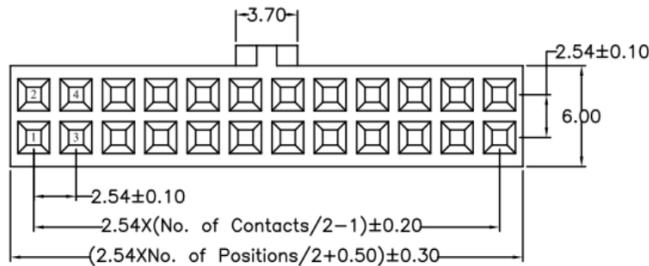
3

2

1



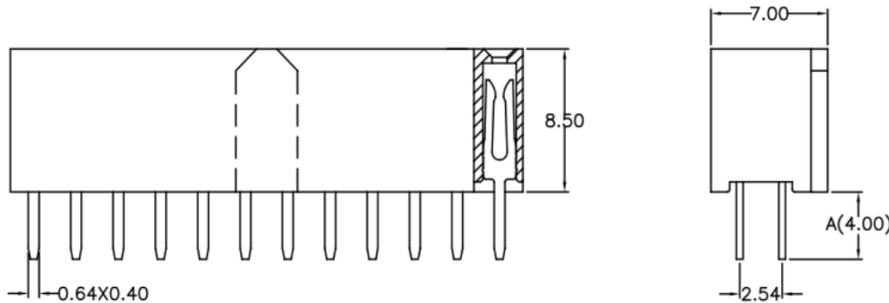
REVISION DATA				
SYM	REV	DESCRIPTION	DATE	APPR.
	00	new part	20.04.17	MR



Electrical
 Current rating: 3Amps/contact max.
 Contact resistance: $\leq 20m\Omega$ /contact
 Isolation resistance: $\geq 1000M\Omega$ at V=100V
 Withstanding Voltage: 550V AC/minute

Material
 Contact: Phosphor Bronze
 Isolator: High Temperature, Thermoplastic UL94V-0

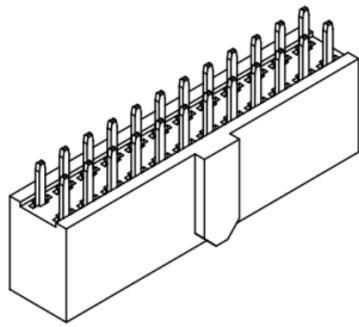
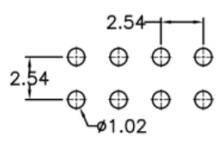
Operating temperature:
 Gold plated: -55°C to +105°C
 Tin plated: -40°C to +105°C



order information

B254180	-	xx	xx	xx	-	xx
		No. of Positions	Plating Option	Packaging	Special Customer	
		06*80	01= gold flash	A= bag		
			xx= on request	C= tube		
				xx= on request		

Recommended P.C.B Board Hole Layout



Dual Row Female Header Straight Type

Tolerance: X. ±0.50 .X ±0.35 .XX ±0.25 .XXX ±0.05 X* ±2*	PROJECTON				
	DATE	20.04.2017	Customer Drawing-No.:		
	DRAWN	MR	Drawing-No.: 2161049		
	CHECKED	BR			
	APPROVED	BR	UNIT:	SCALE:	SIZE:
		mm		A4	