

4

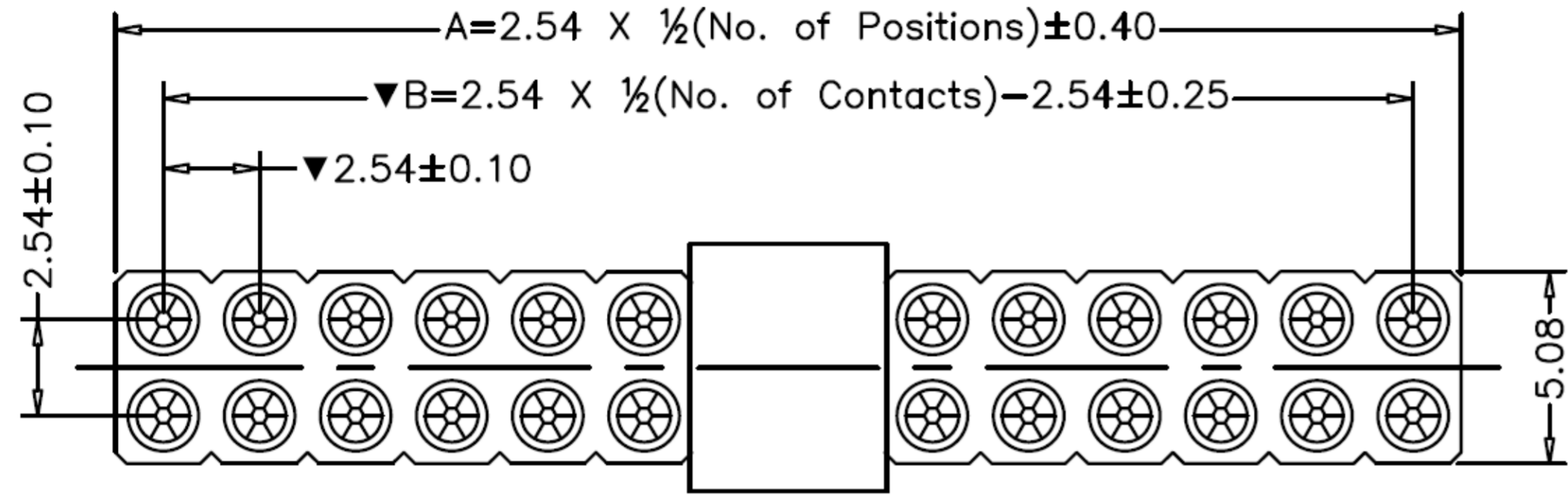
3

2

1



REVISION DATA				
SYM	REV	DESCRIPTION	DATE	APPR.
	00	new part	30.03.17	MR



Technical Specifications

Insulator: Black glass filled polyester PPS+GF30
UL 94V-0

Sleeve: Brass CuZn39Pb3(C3604)

Contact Clip (6 finger): Beryllium copper (C17200)

Mating Pin ϕ : 0.381 to 0.660mm

Forces: (polished steel gauge ϕ 0.43mm)

Insertion: 90g typ. max.

Withdrawal: 25 g typ. min

Rated Voltage: 100 VRMS / 150 VDC

Rated Current: 3 A

Contact Resistance: Max. 10m Ω

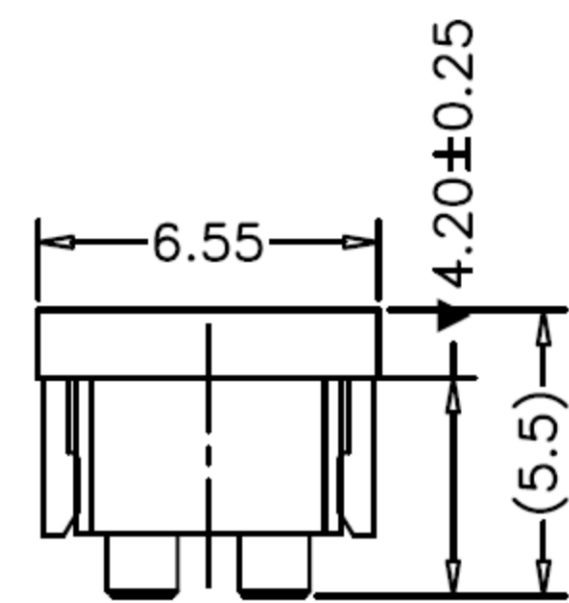
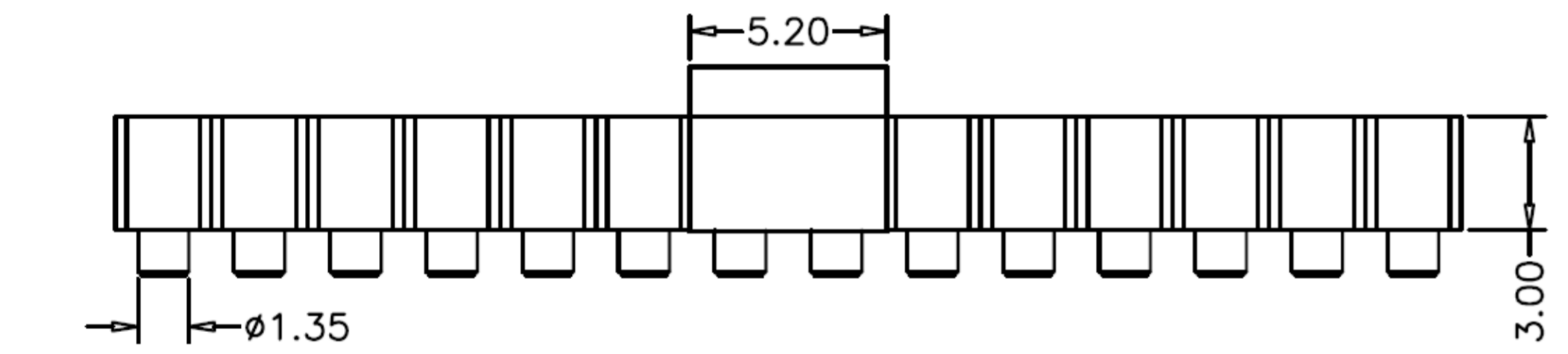
Insulation Resistance: 1000 M Ω min. at 100AC

Dielectric Strength: Min. 1000 V_{RMS}

Mechanical Life: Min. 200 cycles

Temperature: -55°C to 105°C

Soldering Temperature: 245±5°C /5s



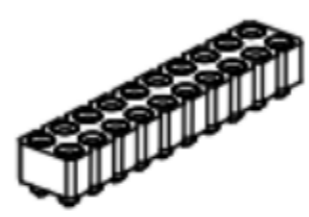
order information

BP254151	xx	xx	xx	xx	xx
No. of Positions	Pin Plating Option	Clip Plating Option	Packaging	Special Customer	
04~80	100= tin	01= gold flash	F= tape&reel with cap		
	xx= on request	xx= on request	xx= on request		



Dual Row Precision Female Header Straight SMT Type

Tolerance: X. ±0.50 .X ±0.35 .XX ±0.25 .XXX ±0.05 X.° ±2°	PROJECTON				
	DATE	30.03.2017	Customer Drawing- No.:		
	DRAWN	MR	Drawing- No.: 2161024		
	CHECKED	BR			
	APPROVED	BR	UNIT: mm	SCALE:	SIZE: A4



4

3

2

1