

4

3

2

1

RoHS REACH compliant

REVISION DATA				
SYM	REV	DESCRIPTION	DATE	APPR.
	00	new part	22.05.17	MR

Technical Specification

Current Rating: 1A AC, DC  
 Voltage Rating: 50V AC,DC  
 Temperature: -25°C to +85°C  
*high temperature:* -40°C to +105°C  
 Contact Resistance: 20mΩ  
 Insulation Resistance: 100MΩ  
 Withstanding Voltage: 500V AC/minute  
 Material Pin: Phosphor Bronze  
 Material: UL94V-0  
 Solder Tabs: Brass

Circuit No.	Dimensions				
	A	B	C	D	E
2X05P	4.00	7.30	6.50	5.00	5.70
2X08P	7.00	10.30	9.50	8.00	8.70
2X10P	9.00	13.30	11.50	10.00	10.70
2X15P	14.00	17.30	16.50	15.00	15.70
2X20P	19.00	22.30	21.50	20.00	20.70
2X25P	24.00	27.30	26.50	25.00	25.70
2X30P	29.00	32.30	31.50	30.00	30.70

D

C

B

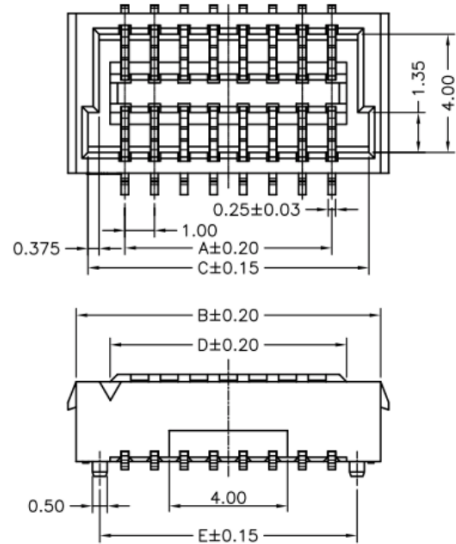
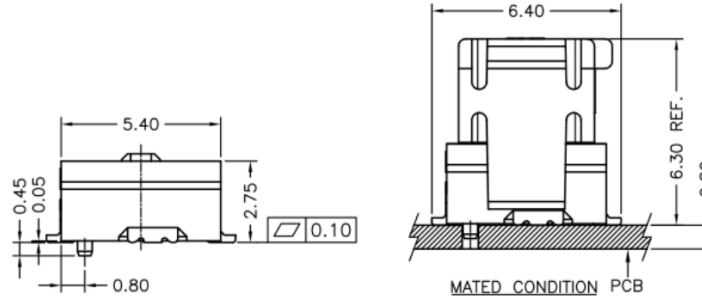
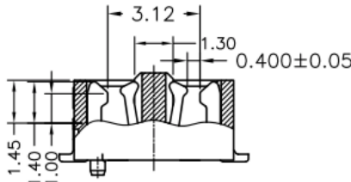
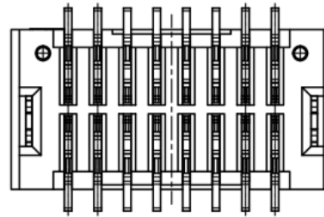
A

D

C

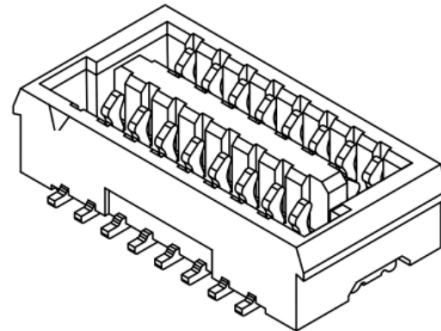
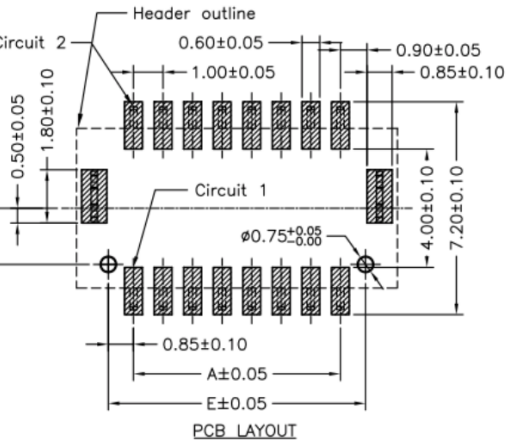
B

A



order information

C100410	xx	xx	xx	xx
No. of Positions	Plating Option	Packaging	Special Customer	
10~60	01= gold flash	D= tape&reel	xx= on request	
xx= on request	100= tin	F= tape&reel with cap		
	xx= on request	xx= on request		



	<b>BRCONNECTORS</b>		<b>Dual Row Wafer SMT Type, Top Entry</b>		
	PROJECTON		Customer Drawing-No.:		
	DATE	22.05.2017	Drawing-No.: 2161113		
	DRAWN	MR			
CHECKED	BR				
APPROVED	BR	UNIT: mm	SCALE:	SIZE: A4	