

4

3

2

1



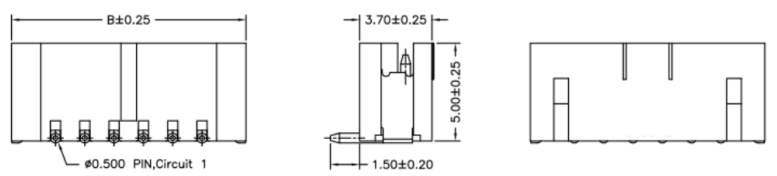
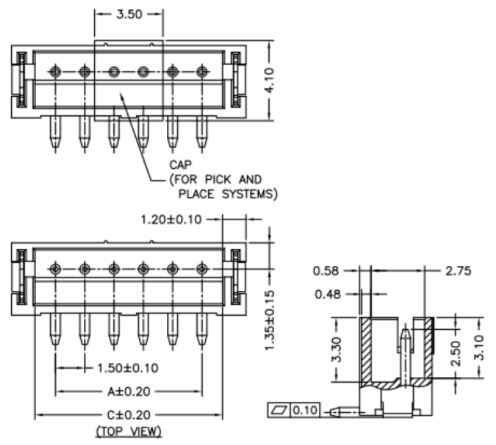
REVISION DATA				
SYM	REV	DESCRIPTION	DATE	APPR.
	00	new part	19.07.16	JU
	01	new Order Information	26.09.18	MR

**technical specification**

Current Rating: 1A AC, DC  
Voltage Rating: 100V AC, DC  
Temperature: -25°C to +85°C  
*high temperature:* -40°C to +105°C  
Contact Resistance: 20mΩ  
Insulation Resistance: 500MΩ  
Withstanding Voltage: 500V AC/ Min.  
Material Pin: Brass  
Material: UL94V-0

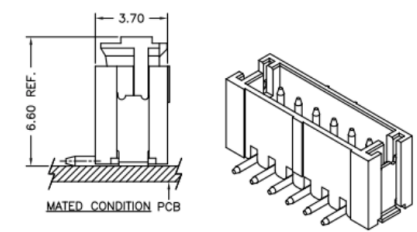
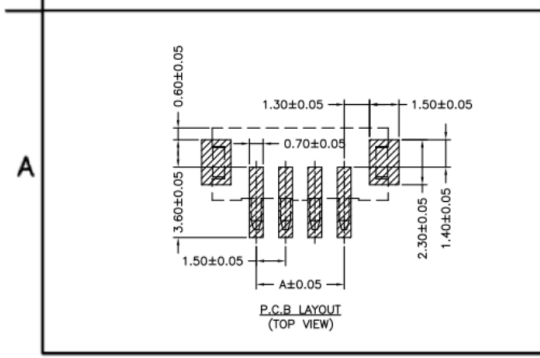
**Dimension:**

A = (No. of Pos. -1) x 1.50  
B = A + 4.50  
C = A + 2.10



**order information**

C150401	xx	xx	xx	xx	xx	xx
No. of Positions	Plating Option	Type	Entry	Packaging	Special Customer	
02~13	01= gold flash 100= tin xx= on request	A1= SMT	B1= top	D= tape&reel F= tape&reel with cap xx= on request	xx= on request	



**BRCONNECTORS**

**Single Row Wafer  
SMT Type, Top Entry**

<b>TOLERANCE:</b> <b>ANGLE ±5°</b> <b>X.XXX ±0.05</b> <b>X.XX ±0.15</b> <b>X.X ±0.20</b> <b>X. ±0.35</b>	<b>PROJECTON</b>		
	<b>DATE</b>	19.07.16	<b>Customer Drawing- No.:</b>
	<b>DRAWN</b>	MR	<b>Drawing- No.:</b> 2160766
	<b>CHECKED</b>	JU	
<b>APPROVED</b>	JU		

<b>UNIT:</b> mm	<b>SCALE:</b>	<b>SIZE:</b> A4
-----------------	---------------	-----------------