

4

3

2

1



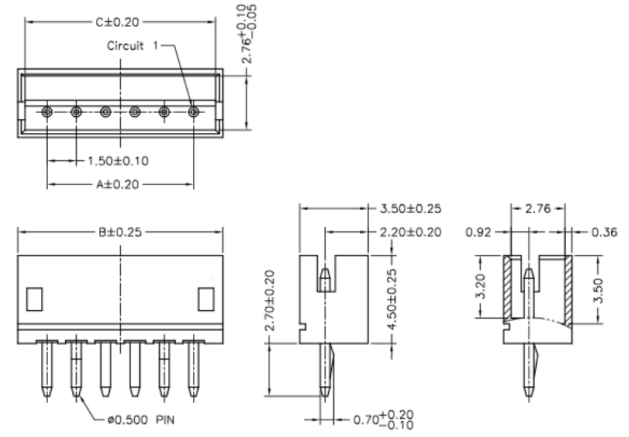
REVISION DATA				
SYM	REV	DESCRIPTION	DATE	APPR.
	00	new part	19.07.16	JU
	01	new Order Information	26.09.18	MR

technical specification

Current Rating: 1A AC, DC
Voltage Rating: 100V AC,DC
Temperature: -25°C to +85°C
high temperature: -40°C to +105°C
Contact Resistance: 20mΩ
Insulation Resistance: 500MΩ
Withstanding Voltage: 500V AC/ Min.
Material Pin: Brass
Material: UL94V-0

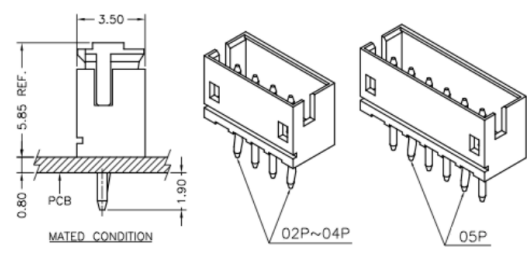
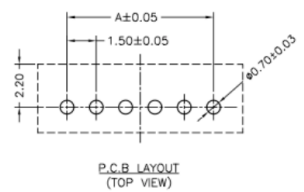
Dimension:

A = (No. of Pos. -1) x 1.50
B = A + 3.00
C = A + 2.25



order information

C150401	xx	xx	xx	xx	xx	xx
No. of Positions	Plating Option	Type	Entry	Packaging	Special Customer	
02~13	01= gold flash 100= tin xx= on request	A2= THT	B1= top	A= bag xx= on request	xx= on request	



		Single Row Wafer THT Type, Top Entry		
TOLERANCE:	PROJECTON			
ANGLE ±5°	DATE	19.07.16	Customer Drawing- No.:	
X.XXX ±0.05	DRAWN	MR	Drawing- No.: 21607112	
X.XX ±0.15	CHECKED	JU		
X.X ±0.20	APPROVED	JU		
X. ±0.35			UNIT: mm	SCALE:
				SIZE: A4