

RoHS REACH compliant

REVISION DATA				
SYM	REV	DESCRIPTION	DATE	APPR.
	00	new part	04.07.17	MR

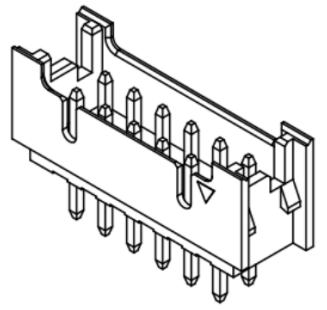
Technical Specification

Current Rating: 3A AC, DC
 Voltage Rating: 250V AC,DC
 Temperature: -25°C to +85°C
high temperature: -40°C to +105°C
 Contact Resistance: 10mΩ
 Insulation Resistance: 1000MΩ
 Withstanding Voltage: 800V AC/minute
 Material Pin: Brass
 Material: Thermoplastic, UL94V-0

Circuit No.	Dimensions			
	A	B	C	D
2X02P	2.00	8.00	4.70	---
2X03P	4.00	10.00	6.70	2.00
2X04P	6.00	12.00	8.70	4.00
2X05P	8.00	14.00	10.70	6.00
2X06P	10.00	16.00	12.70	8.00
2X07P	12.00	18.00	14.70	10.00
2X08P	14.00	20.00	16.70	12.00
2X09P	16.00	22.00	18.70	14.00
2X10P	18.00	24.00	20.70	16.00
2X11P	20.00	26.00	22.70	18.00
2X12P	22.00	28.00	24.70	20.00
2X13P	24.00	30.00	26.70	22.00
2X14P	26.00	32.00	28.70	24.00
2X15P	28.00	34.00	30.70	26.00
2X16P	30.00	36.00	32.70	28.00
2X17P	32.00	38.00	34.70	30.00
2X18P	34.00	40.00	36.70	32.00
2X19P	36.00	42.00	38.70	34.00
2X20P	38.00	44.00	40.70	36.00
2X22P	42.00	48.00	44.70	40.00

order information

C200404	xx	xx	xx	xx	xx	xx
No. of Positions	Plating Option	Entry	Locking	Packaging	Special Customer	
04~44	01= gold flash	B1= top	F2= side	A= bag	xx= on request	
xx= on request	100= tin			xx= on request		
						xx= on request



	Dual Row Wafer THT Type, Top Entry	
	PROJECTON	
	DATE	04.07.2017
	DRAWN	MR
	CHECKED	BR
APPROVED	BR	
Tolerance: .X ± 0.25 .XX ± 0.15 .XXX ± 0.05		Customer Drawing-No.: Drawing-No.: 2161213
UNIT:	SCALE:	SIZE:
mm		A4