

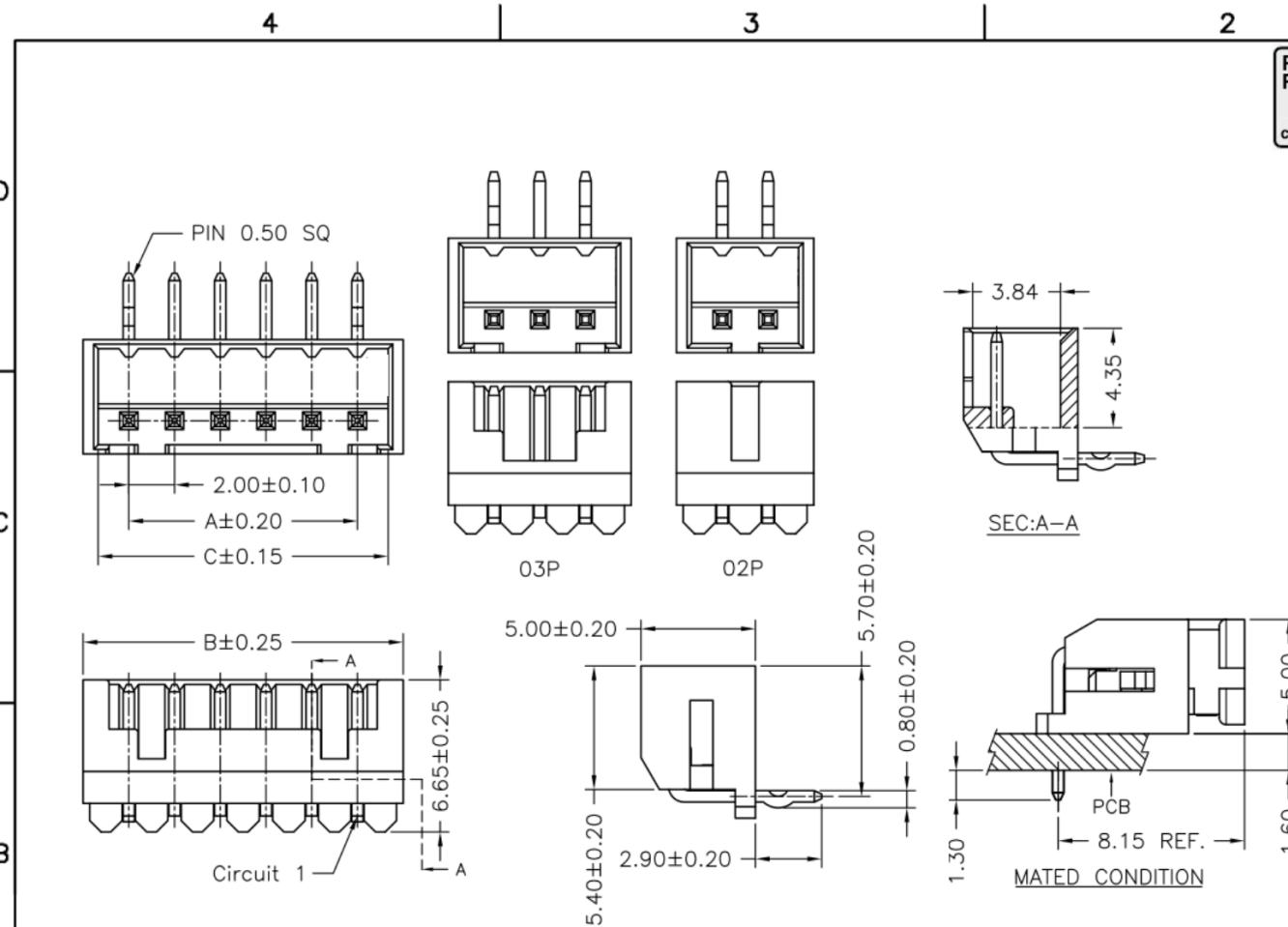
RoHS
REACH
compliant

REVISION DATA				
SYM	REV	DESCRIPTION	DATE	APPR.
	00	new part	19.06.17	MR

Technical Specification

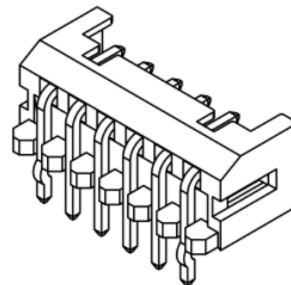
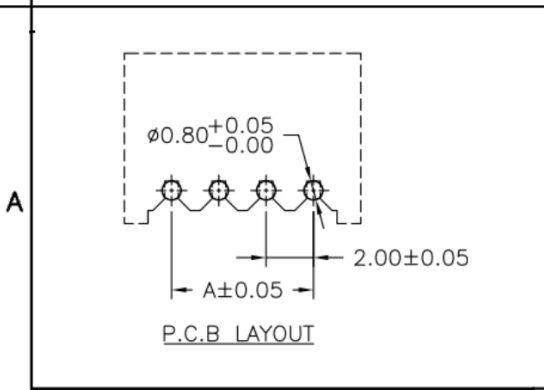
Current Rating: 3A AC, DC
 Voltage Rating: 250V AC, DC
 Temperature: -25°C to +85°C
high temperature: -40°C to +105°C
 Contact Resistance: 30mΩ
 Insulation Resistance: 1000MΩ
 Withstanding Voltage: 650V AC/minute
 Material Pin: Brass
 Material: Thermoplastic, UL94V-0

Circuit No.	Dimensions		Circuit No.	Dimensions	
	A	B		A	B
02P	2.00	6.00	09P	16.00	20.00
03P	4.00	8.00	10P	18.00	22.00
04P	6.00	10.00	11P	20.00	24.00
05P	8.00	12.00	12P	22.00	26.00
06P	10.00	14.00	13P	24.00	28.00
07P	12.00	16.00	14P	26.00	30.00
08P	14.00	18.00	15P	28.00	32.00



order information

C200405	xx	xx	xx	xx	xx
No. of Positions	Plating Option	Entry	Packaging	Special Customer	
02-15	01= gold flash	B2= side	A= bag	xx= on request	
xx= on request	100= tin		xx= on request		
			xx= on request		



	PROJECTON		Single Row Wafer THT Type, Side Entry		
	DATE	19.06.2017	Customer Drawing-No.:		
	DRAWN	MR	Drawing-No.: 2161218		
	CHECKED	BR			
APPROVED	BR	UNIT:	SCALE:	SIZE:	A4
		mm			