

4

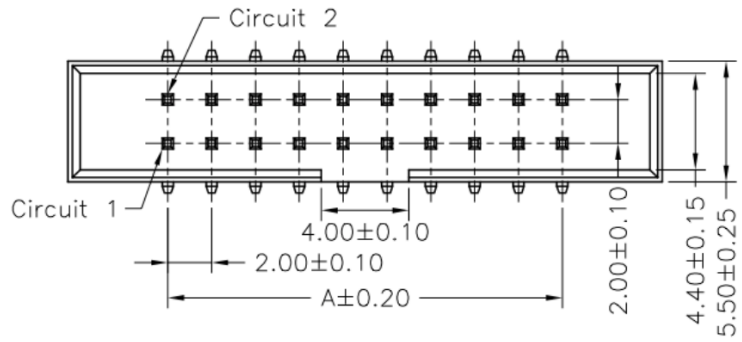
3

2

1



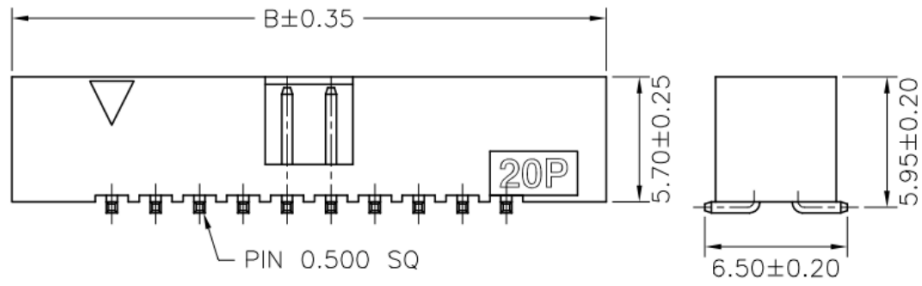
REVISION DATA				
SYM	REV	DESCRIPTION	DATE	APPR.
	00	new part	29.06.17	MR



Technical Specification

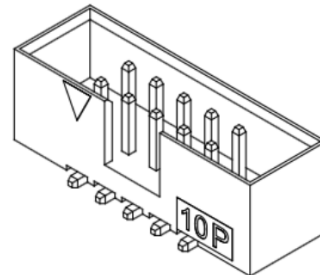
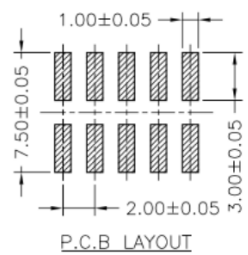
Current Rating: 2A AC, DC
 Voltage Rating: 250V AC,DC
 Temperature: -25°C to +85°C
high temperature: -40°C to +105°C
 Contact Resistance: 20mΩ
 Insulation Resistance: 1000MΩ
 Withstanding Voltage: 1000V AC/minute
 Material Pin: Brass
 Material: Thermoplastic, UL94V-0

Circuit No.	Dimensions	
	A	B
2X05P	8.00	17.10
2X06P	10.00	19.10
2X07P	12.00	21.10
2X08P	14.00	23.10
2X10P	18.00	27.10
2X11P	20.00	29.10
2X12P	22.00	31.10
2X13P	24.00	33.10
2X15P	28.00	37.10
2X17P	32.00	41.10
2X20P	38.00	47.10
2X22P	42.00	51.10
2X24P	46.00	55.10
2X25P	48.00	57.10
2X30P	58.00	67.10
2X32P	62.00	71.10



order information

C200409	xx	xx	xx	xx	xx
No. of Positions	Plating Option	Type	Packaging	Special Customer	
10~64	01= gold flash	A1= smt	F= tape&reel with cap	xx= on request	
xx= on request	100= tin		xx= on request		
			xx= on request		



	PROJECTON		Dual Row Wafer SMT Type, Top Entry		
	DATE	29.06.2017	Customer Drawing-No.:		
	DRAWN	MR	Drawing-No.: 2161312		
	CHECKED	BR			
APPROVED	BR	UNIT: mm	SCALE:	SIZE: A4	