

4

3

2

1

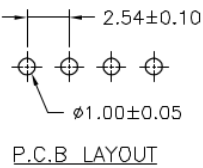
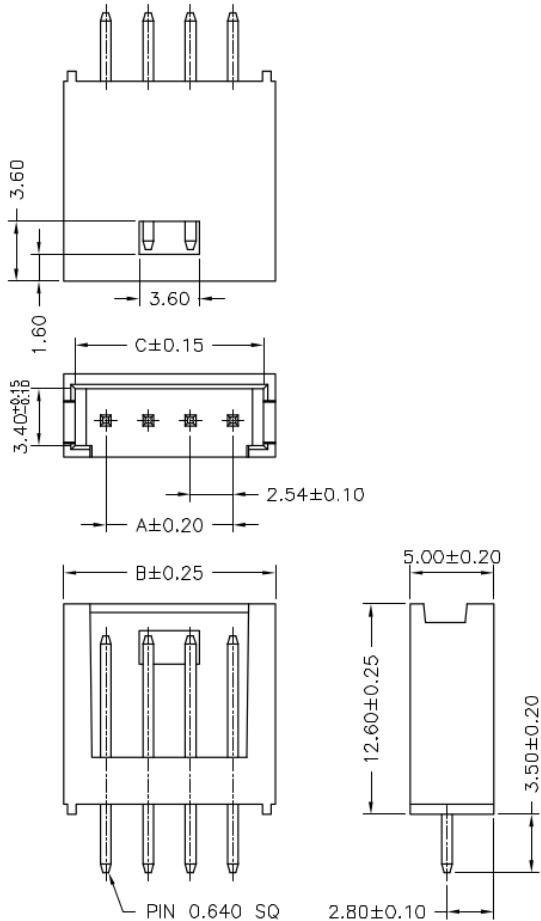
RoHS REACH compliant

REVISION DATA				
SYM	REV	DESCRIPTION	DATE	APPR.
	00	new part	03.08.17	MR

Technical Specification

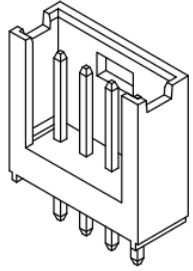
Current Rating: 3A AC, DC
 Voltage Rating: 250V AC,DC
 Temperature: -25°C to +85°C
high temperature: -40°C to +105°C
 Contact Resistance: 20mΩ
 Insulation Resistance: 1000MΩ
 Withstanding Voltage: 1000V AC/minute
 Material Pin: Brass
 Material: Thermoplastic, UL94V-0

Circuit No.	Dimensions		
	A	B	C
02P	2.54	7.62	6.22
04P	7.62	12.70	11.30
05P	10.16	15.24	13.84
06P	12.70	17.78	16.38
08P	17.78	22.86	21.46
10P	22.86	27.94	26.54



order information

C254403	xx	xx	xx	xx	xx
No. of Positions	Plating Option	Entry	Packaging	Special Customer	
02-08	01= gold flash	B1= top	A= bag	xx= on request	
xx= on request	100= tin		xx= on request		
			xx= on request		



BRCONNECTORS Single Row Wafer THT Type, Top Entry

Tolerance: .X ± 0.25 .XX ± 0.15 .XXX ± 0.05	PROJECTON				
	DATE	03.08.2017	Customer Drawing-No.:		
	DRAWN	MR	Drawing-No.: 2161378		
	CHECKED	BR			
APPROVED	BR		UNIT: mm	SCALE:	SIZE: A4

D

C

B

A

D

C

B