

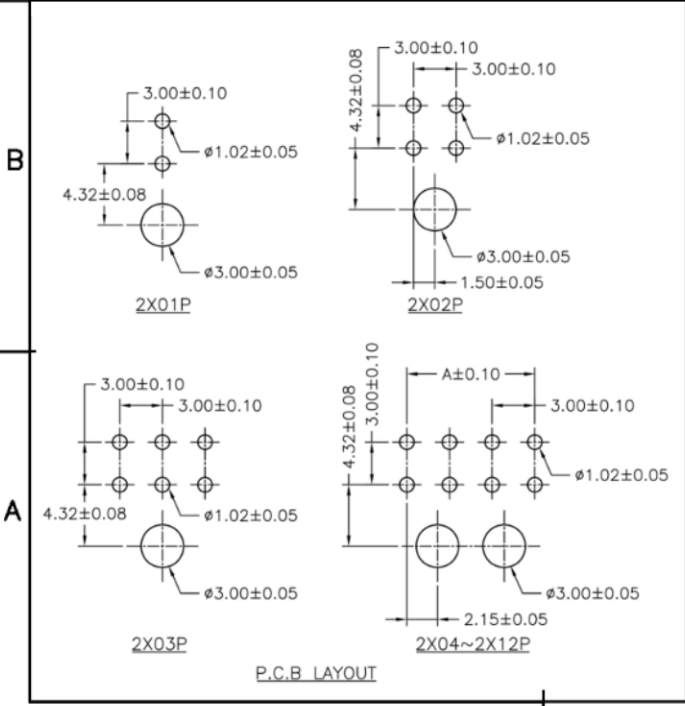
**RoHS REACH**  
compliant

| REVISION DATA |     |             |          |       |
|---------------|-----|-------------|----------|-------|
| SYM           | REV | DESCRIPTION | DATE     | APPR. |
|               | 00  | new part    | 24.10.17 | MR    |
|               |     |             |          |       |
|               |     |             |          |       |
|               |     |             |          |       |

**Technical Specification**

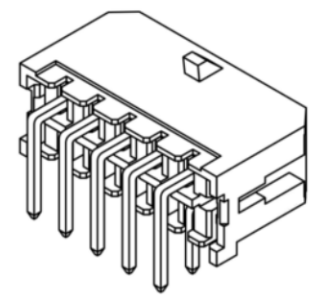
Current Rating: 5A AC, DC  
 Voltage Rating: 250V AC,DC  
 Temperature: -25°C to +85°C  
 Contact Resistance: 10mΩ  
 Insulation Resistance: 1000MΩ  
 Withstanding Voltage: 1500V AC/minute  
 Material Pin: Brass  
 Material: Thermoplastic, UL94V-0

| PART NO. | Dimensions |       | PART NO. | Dimensions |       |
|----------|------------|-------|----------|------------|-------|
|          | A          | B     |          | A          | B     |
| 2X01P    | ---        | 6.65  | 2X07P    | 18.00      | 24.65 |
| 2X02P    | 3.00       | 9.65  | 2X08P    | 21.00      | 27.65 |
| 2X03P    | 6.00       | 12.65 | 2X09P    | 24.00      | 30.65 |
| 2X04P    | 9.00       | 15.65 | 2X10P    | 27.00      | 33.65 |
| 2X05P    | 12.00      | 18.65 | 2X11P    | 30.00      | 36.65 |
| 2X06P    | 15.00      | 21.65 | 2X12P    | 33.00      | 39.65 |



**order information**

|                  |                |          |          |                |                  |    |
|------------------|----------------|----------|----------|----------------|------------------|----|
| C300400          | xx             | xx       | xx       | xx             | xx               | xx |
| No. of Positions | Plating Option | Entry    | Row      | Packaging      | Special Customer |    |
| 02~24            | 100= tin       | B2= side | D2= dual | A= bag         | xx= on request   |    |
|                  | xx= on request |          |          | xx= on request |                  |    |



|  |           |  |                       |
|--|-----------|--|-----------------------|
|  |           | <b>Dual Row Wafer</b><br><b>THT Type, Side Entry</b> |                       |
| Tolerance:<br>.X ± 0.25<br>.XX ± 0.15<br>.XXX ± 0.05 | PROJECTON |  |                       |
|  | DATE      | 24.10.2017   | Customer Drawing-No.: |
|  | DRAWN     | MR   | Drawing-No.: 2161437  |
|  | CHECKED   | BR   |                       |
|  | APPROVED  | BR   |                       |
|  |           | UNIT: mm   | SCALE: SIZE: A4       |