

4

3

2

1

RoHS  
REACH  
compliant

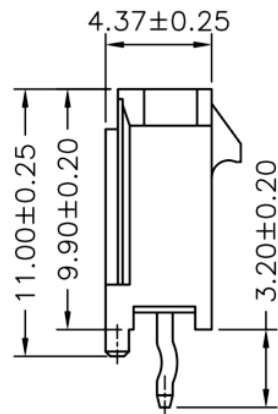
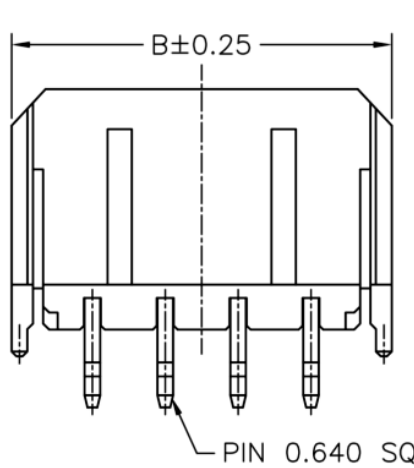
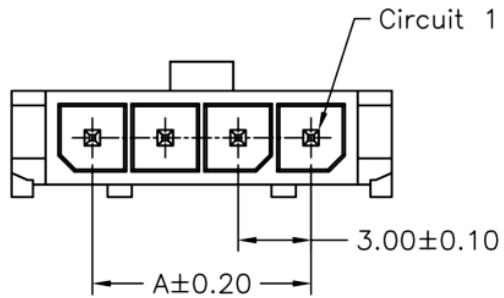
## REVISION DATA

SYM	REV	DESCRIPTION	DATE	APPR.
	00	new part	28.11.17	MR

## Technical Specification

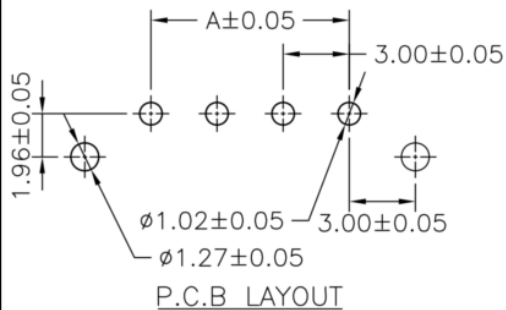
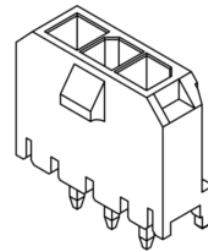
Current Rating:	5A AC, DC
Voltage Rating:	250V AC,DC
Temperature:	-25°C to +85°C
Contact Resistance:	10mΩ
Insulation Resistance:	1000MΩ
Withstanding Voltage:	1500V AC/minute
Material Pin:	Brass
Material:	Thermoplastic, UL94V-0

PART NO.	Dimensions		PART NO.	Dimensions	
	A	B		A	B
02P	3.00	9.65	08P	21.00	27.65
03P	6.00	12.65	09P	24.00	30.65
04P	9.00	15.65	10P	27.00	33.65
05P	12.00	18.65	11P	30.00	36.65
06P	15.00	21.65	12P	33.00	39.65
07P	18.00	24.65			



## order information

C300400	xx	xx	xx	xx	xx	xx
No. of Positions	Plating Option	Entry	Row	Packaging	Special Customer	
02~12	100= tin	B1= top	D1= single	A= bag	xx= on request	
	xx= on request			xx= on request		



BRCONNECTORS

Single Row Wafer  
THT Type, Top Entry

PROJECTON



Allgemeintoleranz ISO 2768-m

DATE

28.11.2017

Customer  
Drawing-No.:

DRAWN

MR

Drawing-No.: 2161451

CHECKED

BR

APPROVED

BR

UNIT:  
mm

SCALE:

SIZE:  
A4