

4

3

2

1

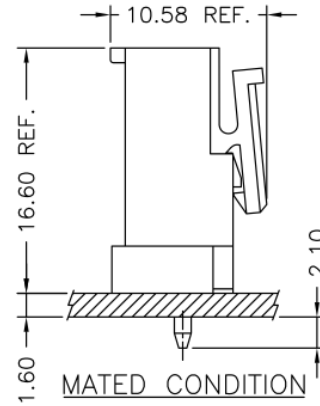
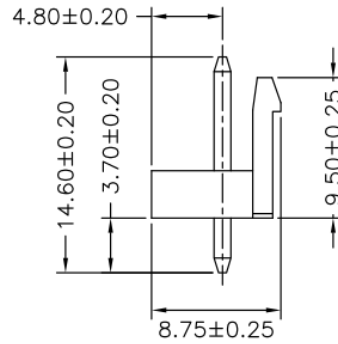
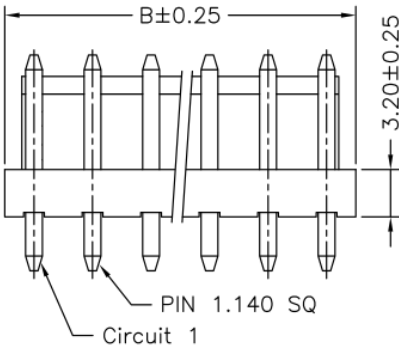
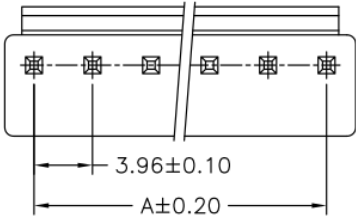
RoHS REACH compliant

REVISION DATA				
SYM	REV	DESCRIPTION	DATE	APPR.
	00	new part	03.08.17	MR

Technical Specification

Current Rating: 7A AC, DC
Voltage Rating: 250V AC,DC
Temperature: -25°C to +85°C
high temperature: -40°C to +105°C
Contact Resistance: 10mΩ
Insulation Resistance: 1000MΩ
Withstanding Voltage: 1500V AC/minute
Material Pin: Brass
Material: Thermoplastic, UL94V-0

Circuit No.	Dimensions		Circuit No.	Dimensions	
	A	B		A	B
02P	3.96	7.92	09P	31.68	35.64
03P	7.92	11.88	10P	35.64	39.60
04P	11.88	15.84	11P	39.60	43.56
05P	15.84	19.80	12P	43.56	47.52
06P	19.80	23.76	13P	47.52	51.48
07P	23.76	27.72	14P	51.48	55.44
08P	27.72	31.68	15P	55.44	59.40



order information

C396402	xx	xx	xx	xx	xx
No. of Positions	Plating Option	Entry	Packaging	Special Customer	
02~15	01= gold flash	B1= top	A= bag	xx= on request	
xx= on request	100= tin		xx= on request		
	xx= on request				

D

C

B

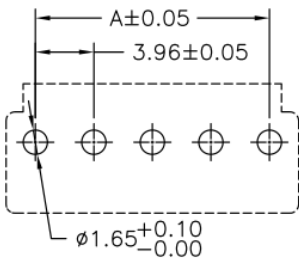
A

D

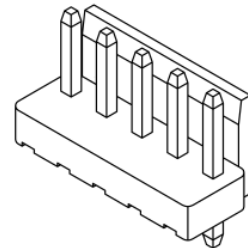
C

B

A



P.C.B LAYOUT



	PROJECTON		Single Row Wafer		
	DATE 03.08.2017		THT Type, Top Entry		
	DRAWN MR		Customer Drawing-No.:		
	CHECKED BR		Drawing-No.: 2161392		
APPROVED BR		UNIT: mm		SCALE:	SIZE: A4

Tolerance:
.X ± 0.25
.XX ± 0.15
.XXX ± 0.05