



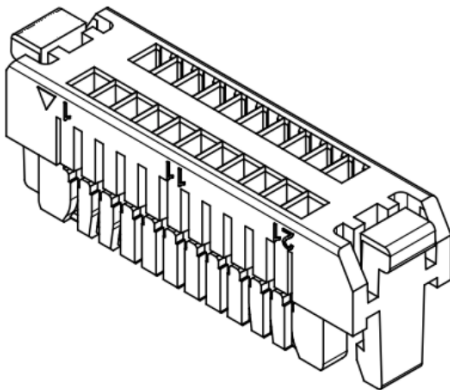
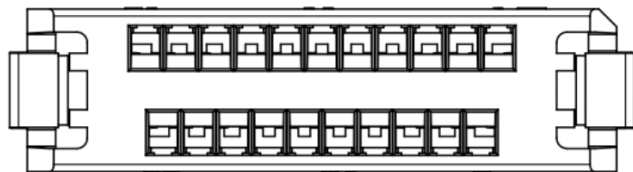
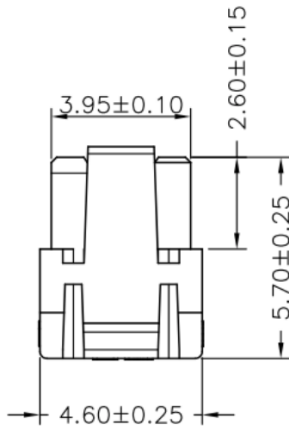
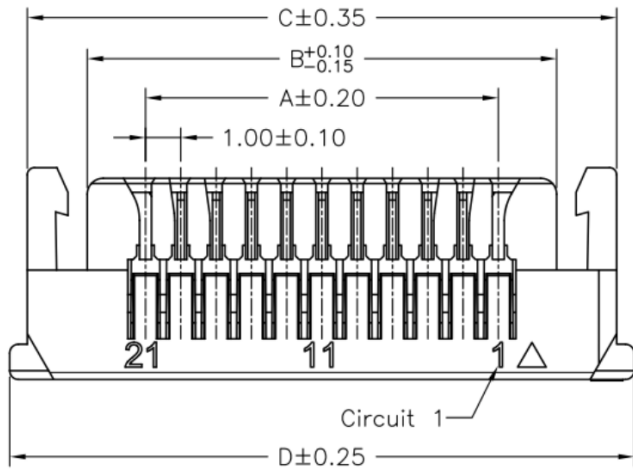
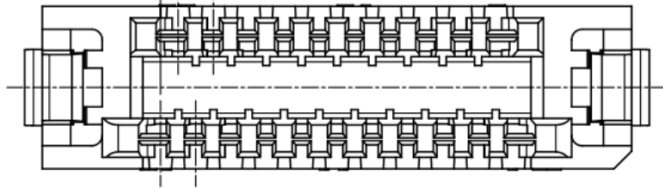
| REVISION DATA | | | | |
|---------------|-----|-------------|----------|-------|
| SYM | REV | DESCRIPTION | DATE | APPR. |
| | 00 | new part | 22.05.17 | MR |
| | | | | |
| | | | | |
| | | | | |

Technical Specification

Current Rating: 1A AC, DC
 Voltage Rating: 50V AC,DC
 Temperature: -25°C to +85°C
high temperature: on request
 Contact Resistance: 20mΩ
 Insulation Resistance: 100MΩ
 Withstanding Voltage: 500V AC/minute
 Material: UL94V-0

| Circuit No. | Dimensions | | | |
|-------------|------------|-------|-------|-------|
| | A | B | C | D |
| 21P | 10.00 | 13.30 | 16.70 | 17.70 |
| 31P | 15.00 | 18.30 | 21.70 | 22.70 |

0.50±0.10



order information

| | | | | | |
|------------------|----------|------------------|----------------|------------------|----|
| D100405 | xx | xx | xx | xx | xx |
| No. of Positions | Row | Special | Packaging | Special Customer | |
| 21~31 | D2= dual | E2= without ears | A= bag | xx= on request | |
| xx= on request | | | xx= on request | | |

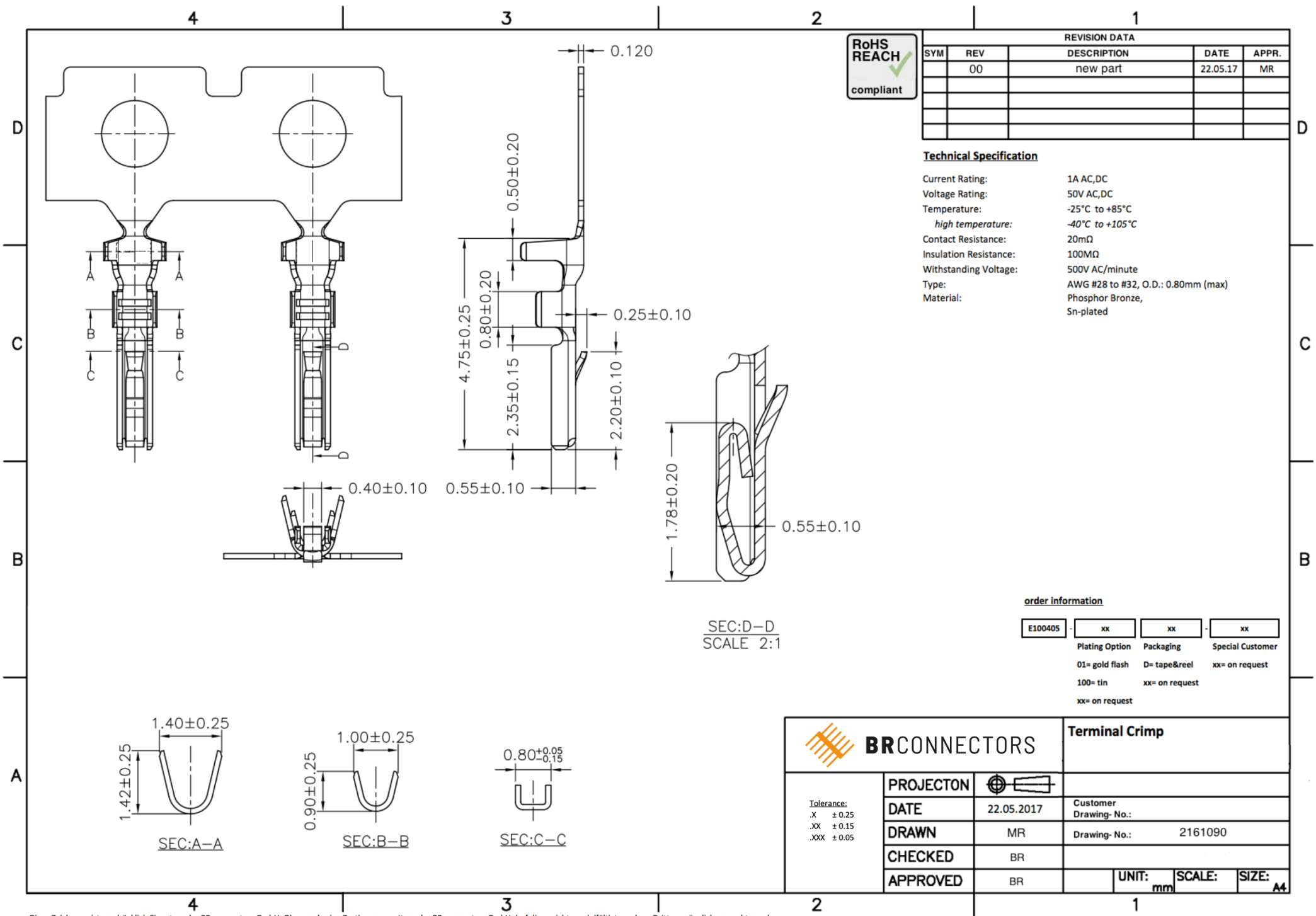


BRCONNECTORS

**Dual Row Housing
Straight Type With Latches**

Tolerance:
 .X ± 0.25
 .XX ± 0.15
 .XXX ± 0.05

| | | | |
|-----------|------------|-----------------------|----------|
| PROJECTON | | Customer Drawing-No.: | |
| DATE | 22.05.2017 | Drawing-No.: | 2161092 |
| DRAWN | MR | | |
| CHECKED | BR | | |
| APPROVED | BR | UNIT: | SCALE: |
| | | mm | SIZE: A4 |



RoHS
REACH
compliant

| REVISION DATA | | | | |
|---------------|-----|-------------|----------|-------|
| SYM | REV | DESCRIPTION | DATE | APPR. |
| | 00 | new part | 22.05.17 | MR |
| | | | | |
| | | | | |
| | | | | |

Technical Specification

Current Rating: 1A AC,DC
Voltage Rating: 50V AC,DC
Temperature: -25°C to +85°C
high temperature: -40°C to +105°C
Contact Resistance: 20mΩ
Insulation Resistance: 100MΩ
Withstanding Voltage: 500V AC/minute
Type: AWG #28 to #32, O.D.: 0.80mm (max)
Material: Phosphor Bronze, Sn-plated

order information

| | | | |
|----------------|----------------|------------------|----|
| E100405 | xx | xx | xx |
| Plating Option | Packaging | Special Customer | |
| 01= gold flash | D= tape&reel | xx= on request | |
| 100= tin | xx= on request | | |
| | xx= on request | | |

SEC:D-D
SCALE 2:1

| | | |
|-------------------------------|-----------------------|------------|
| | Terminal Crimp | |
| | PROJECTON | |
| | DATE | 22.05.2017 |
| | DRAWN | MR |
| | CHECKED | BR |
| APPROVED | BR | |
| Customer Drawing-No.: 2161090 | | |
| Drawing-No.: 2161090 | | |
| UNIT: mm | SCALE: | SIZE: A4 |

Diese Zeichnung ist ausdrücklich Eigentum der BR-connectors GmbH. Ohne vorherige Zustimmung seitens der BR-connectors GmbH darf diese nicht vervielfältigt, noch an Dritte zugänglich gemacht werden. Wir behalten uns alle Rechte vor, auch im Falle einer Patentierung nach Gebrauchsmusterprüfung.