

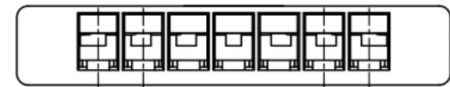
RoHS
REACH
compliant

REVISION DATA				
SYM	REV	DESCRIPTION	DATE	APPR.
	00	new part	22.05.17	MR

Technical Specification

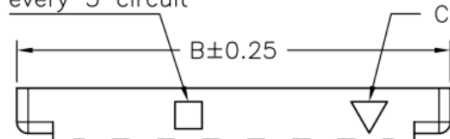
Current Rating: 1A AC, DC
 Voltage Rating: 50V AC,DC
 Temperature: -25°C to +85°C
high temperature: on request
 Contact Resistance: 20mΩ
 Insulation Resistance: 100MΩ
 Withstanding Voltage: 500V AC/minute
 Material: UL94V-0

Circuit No.	Dimensions		
	A	B	C
02P	---	4.60	3.00
06P	5.00	8.60	7.00
07P	6.00	9.60	8.00
14P	13.00	16.60	15.00
16P	15.00	18.60	17.00
20P	19.00	22.60	21.00
22P	21.00	24.60	23.00
26P	25.00	28.60	27.00
30P	29.00	32.60	31.00



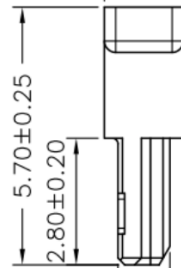
1.00±0.10
A±0.20

Marking by every 5 circuit

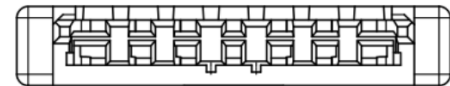
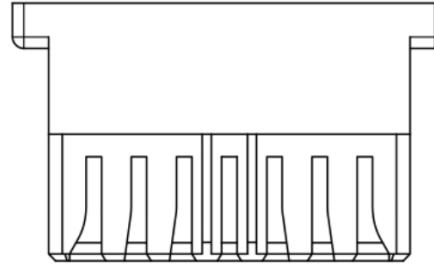


Circuit 1

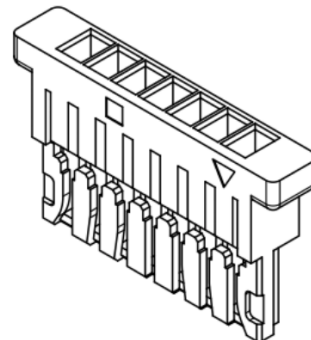
1.75±0.25



1.15±0.15



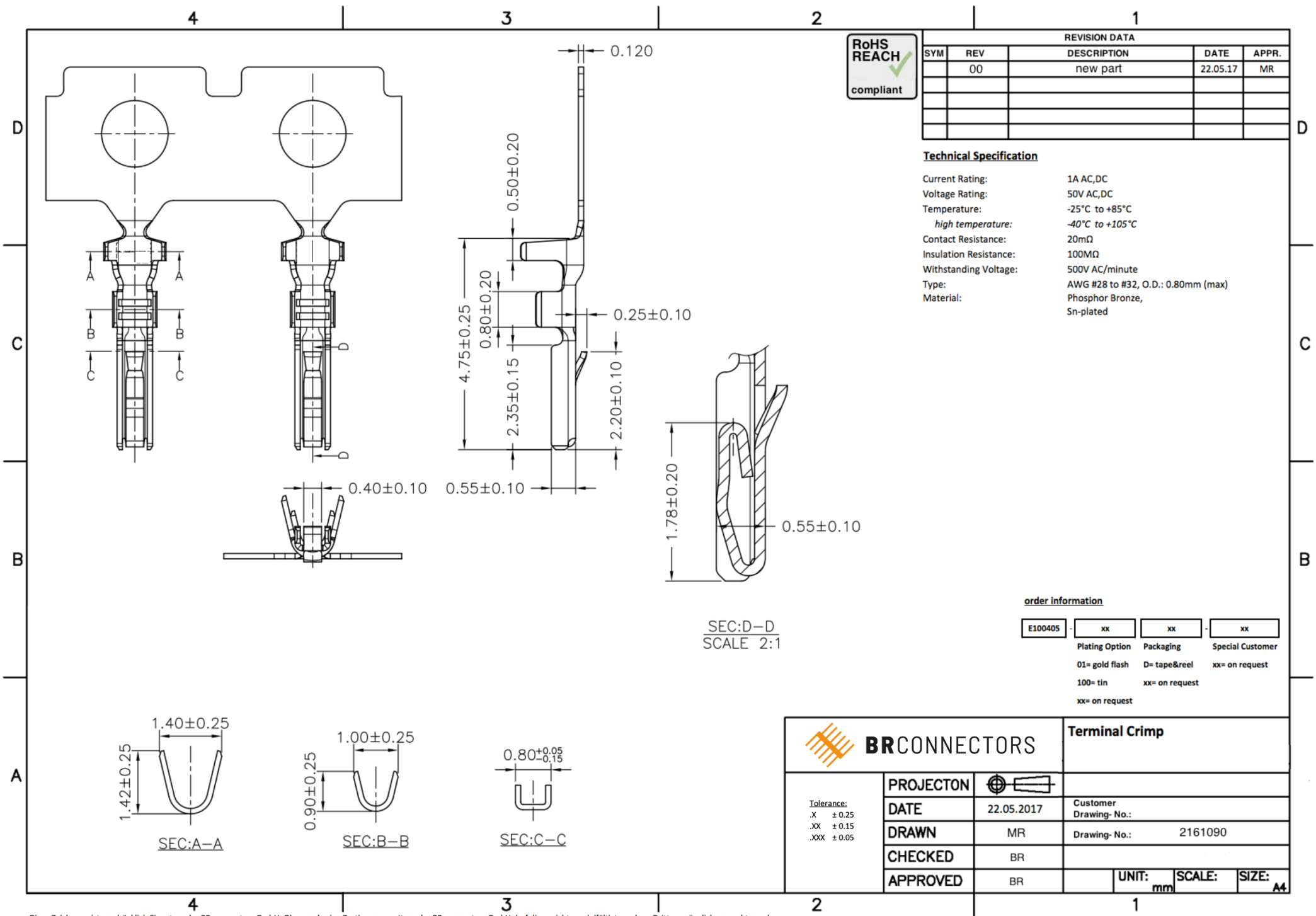
C±0.20



order information

D100405	xx	xx	xx	xx
No. of Positions	Row	Packaging	Special Customer	
02~30	D1= single	A= bag	xx= on request	
xx= on request	xx= on request			

	BRCONNECTORS			Single Row Housing Straight Type		
	PROJECTON					
	DATE	22.05.2017	Customer Drawing-No.:			
	DRAWN	MR	Drawing-No.: 2161091			
	CHECKED	BR				
APPROVED	BR	UNIT:	SCALE:	SIZE:	A4	



RoHS REACH
compliant

REVISION DATA				
SYM	REV	DESCRIPTION	DATE	APPR.
	00	new part	22.05.17	MR

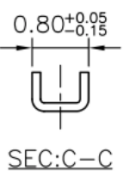
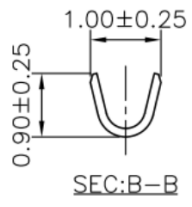
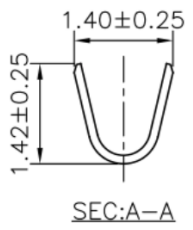
Technical Specification

Current Rating: 1A AC,DC
 Voltage Rating: 50V AC,DC
 Temperature: -25°C to +85°C
high temperature: -40°C to +105°C
 Contact Resistance: 20mΩ
 Insulation Resistance: 100MΩ
 Withstanding Voltage: 500V AC/minute
 Type: AWG #28 to #32, O.D.: 0.80mm (max)
 Material: Phosphor Bronze, Sn-plated

order information

E100405	xx	xx	xx
Plating Option	Packaging	Special Customer	
01= gold flash	D= tape&reel	xx= on request	
100= tin	xx= on request		
	xx= on request		

SEC:D-D
SCALE 2:1



	Terminal Crimp	
	PROJECTON	
	DATE	22.05.2017
	DRAWN	MR
	CHECKED	BR
APPROVED	BR	
Customer Drawing-No.:	2161090	
UNIT:	mm	SCALE:
SIZE:	A4	

Diese Zeichnung ist ausdrücklich Eigentum der BR-connectors GmbH. Ohne vorherige Zustimmung seitens der BR-connectors GmbH darf diese nicht vervielfältigt, noch an Dritte zugänglich gemacht werden. Wir behalten uns alle Rechte vor, auch im Falle einer Patentierung nach Gebrauchsmusterprüfung.