

RoHS
REACH
compliant

REVISION DATA				
SYM	REV	DESCRIPTION	DATE	APPR.
	00	new part	15.05.17	MR
	01	new order information	10.02.20	MH

technical specification

Current Rating: 1A AC, DC
 Voltage Rating: 150V AC,DC
 Temperature: -25°C to +85°C
high temperature: on request
 Contact Resistance: 30mΩ
 Insulation Resistance: 500MΩ
 Withstanding Voltage: 500V AC/Min.
 Material: UL94V-0

Dimension:

A = (No. of Pos./2 - 1) x 1.25
 B = A + 5.40
 C = A + 3.00
 D = A + 4.00

order information

D125403	XX	XX	XX	XX
No. of Positions	Row	Packaging	Special Customer	
10~50	D2= dual	A= bag	xx= on request	
xx= on request		xx= on request		

		Dual Row Housing Straight Type		
Tolerance: .X ± 0.25 .XX ± 0.15 .XXX ± 0.05	PROJECTON			
	DATE 15.05.2017	Customer Drawing-No.:		
	DRAWN MR	Drawing-No.: 2161062		
	CHECKED BR			
	APPROVED BR	UNIT: mm	SCALE:	SIZE: A4

Diese Zeichnung ist ausdrücklich Eigentum der BR-Connectors GmbH. Ohne vorherige Zustimmung seitens der BR-Connectors GmbH darf diese nicht vervielfältigt, noch an Dritte zugänglich gemacht werden. Wir behalten uns alle Rechte vor, auch im Falle einer Patentierung nach Gebrauchsmusterprüfung.

4

3

2

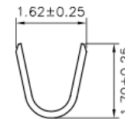
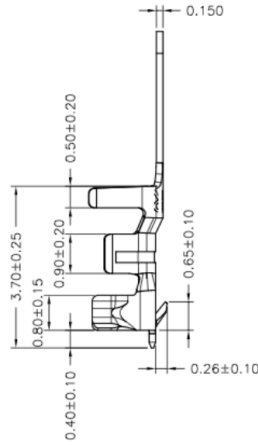
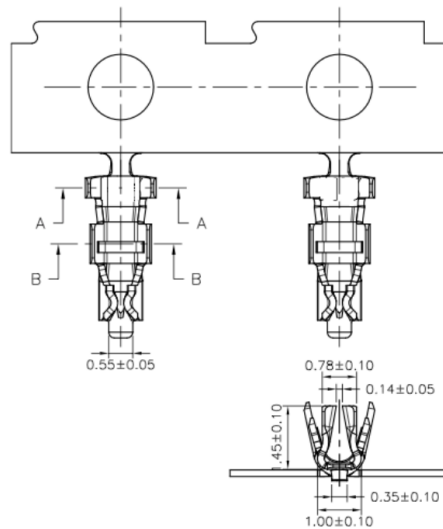
1



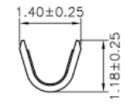
REVISION DATA				
SYM	REV	DESCRIPTION	DATE	APPR.
	00	new part	01.08.16	JU

technical specification

Current Rating: 1A AC, DC
Voltage Rating: 150V AC,DC
Temperature: -25°C to +85°C
high temperature:
Contact Resistance: 30mΩ
Insulation Resistance: 500MΩ
Withstanding Voltage: 500V AC/ Min.
Type: AWG #26 to #30
Material: Phosphor Bronze



SEC:A-A



SEC:B-B

order information

E125403	xx	xx	xx
Plating Option	Packaging	Special Customer	
01= gold flash	D= tape&reel	xx= on request	
100= tin	xx= on request		
xx= on request			



Terminal Crimp

Tolerance:
.X ± 0.25
.XX ± 0.15
.XXX ± 0.05

PROJECTON	
DATE	01.08.16
DRAWN	MR
CHECKED	JU
APPROVED	JU

Customer Drawing- No.:
Drawing- No.: 2160818

UNIT: mm SCALE: SIZE: A4