



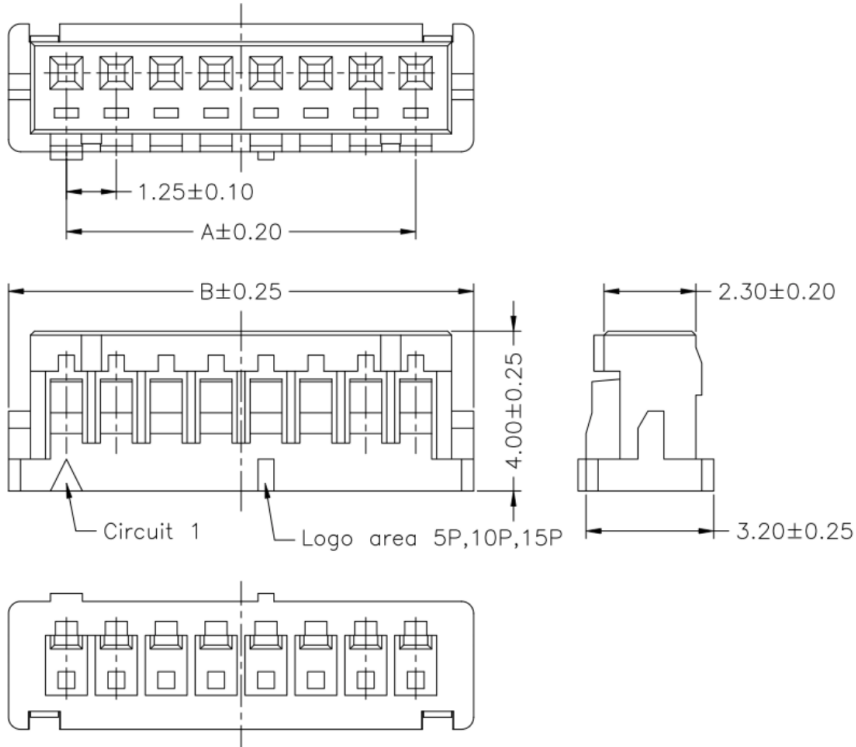
REVISION DATA				
SYM	REV	DESCRIPTION	DATE	APPR.
	00	new part	01.08.16	JU
	01	new order information	10.02.20	MH

technical specification

Current Rating: 1A AC, DC
 Voltage Rating: 150V AC,DC
 Temperature: -25°C to +85°C
high temperature: on request
 Contact Resistance: 30mΩ
 Insulation Resistance: 500MΩ
 Withstanding Voltage: 500V AC/ Min.
 Material: UL94V-0

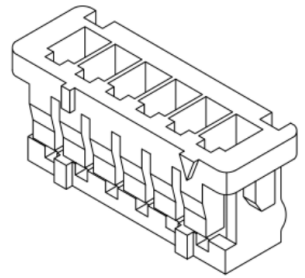
Dimension:

A = (No. of Pos. - 1) x 1.25
 B = A + 2.90



order information

D125403	XX	XX	XX	XX
No. of Positions	Row	Packaging	Special Customer	
02~15	D1= single	A= bag	xx= on request	
xx= on request		xx= on request		



		Single Row Housing Straight Type		
Tolerance: .X ± 0.25 .XX ± 0.15 .XXX ± 0.05	PROJECTON			
	DATE	01.08.16	Customer Drawing- No.:	
	DRAWN	MR	Drawing- No.: 2160811	
	CHECKED	JU		
APPROVED	JU	UNIT:	SCALE:	SIZE: A4

4

3

2

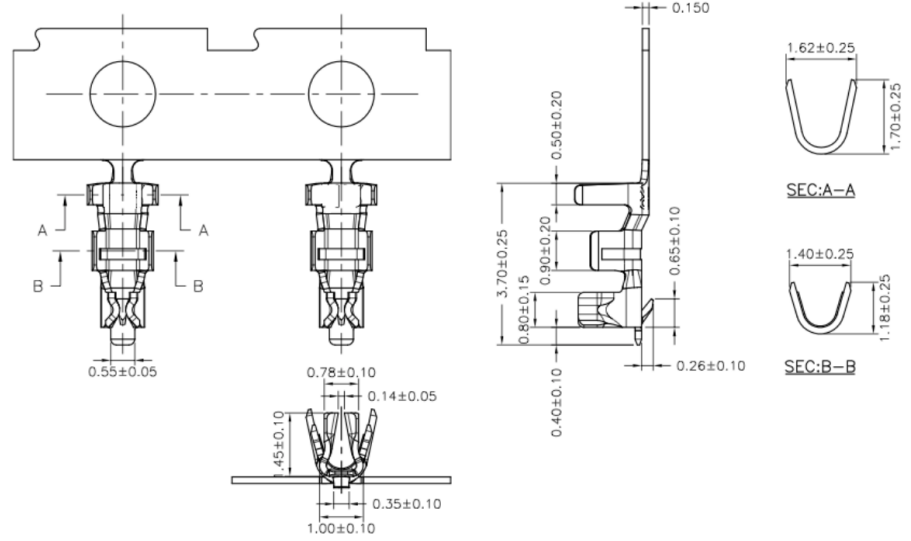
1



REVISION DATA				
SYM	REV	DESCRIPTION	DATE	APPR.
	00	new part	01.08.16	JU

technical specification

Current Rating: 1A AC, DC
Voltage Rating: 150V AC,DC
Temperature: -25°C to +85°C
high temperature: -40°C to +105°C
Contact Resistance: 30mΩ
Insulation Resistance: 500MΩ
Withstanding Voltage: 500V AC/ Min.
Type: AWG #26 to #30
Material: Phosphor Bronze



SEC:A-A

SEC:B-B

order information

E125403	xx	xx	xx
Plating Option	Packaging	Special Customer	
01= gold flash	D= tape&reel	xx= on request	
100= tin	xx= on request		
xx= on request			

	Terminal Crimp	
	PROJECTON	
	DATE	01.08.16
	DRAWN	MR
	CHECKED	JU
APPROVED	JU	
Tolerance: .X ± 0.25 .XX ± 0.15 .XXX ± 0.05	UNIT: mm	SCALE: A4

Diese Zeichnung ist ausdrücklich Eigentum der BR-connectors GmbH. Ohne vorherige Zustimmung seitens der BR-connectors GmbH darf diese nicht vervielfältigt, noch an Dritte zugänglich gemacht werden. Wir behalten uns alle Rechte vor, auch im Falle einer Patentierung nach Gebrauchsmusterprüfung.