

4

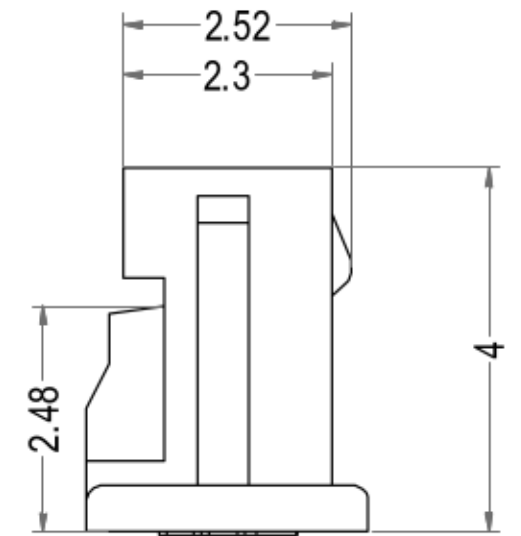
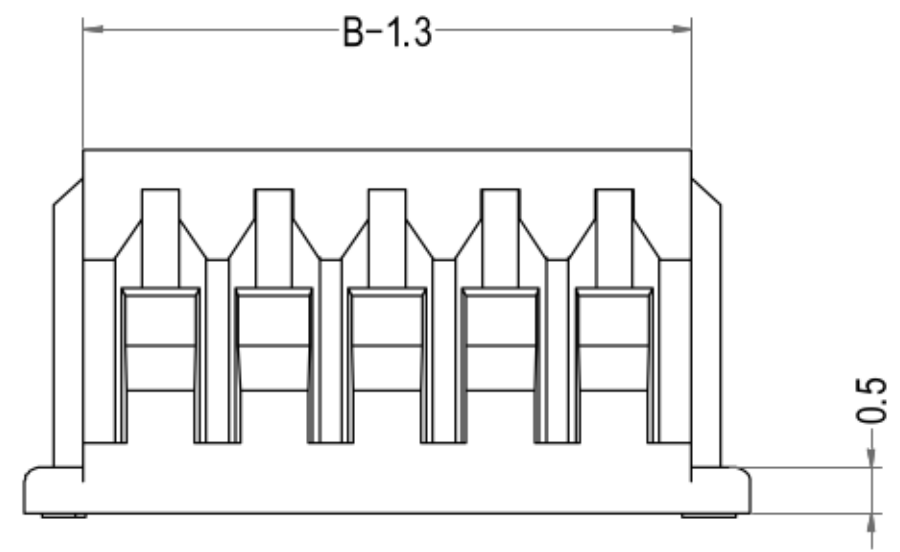
3

2

1



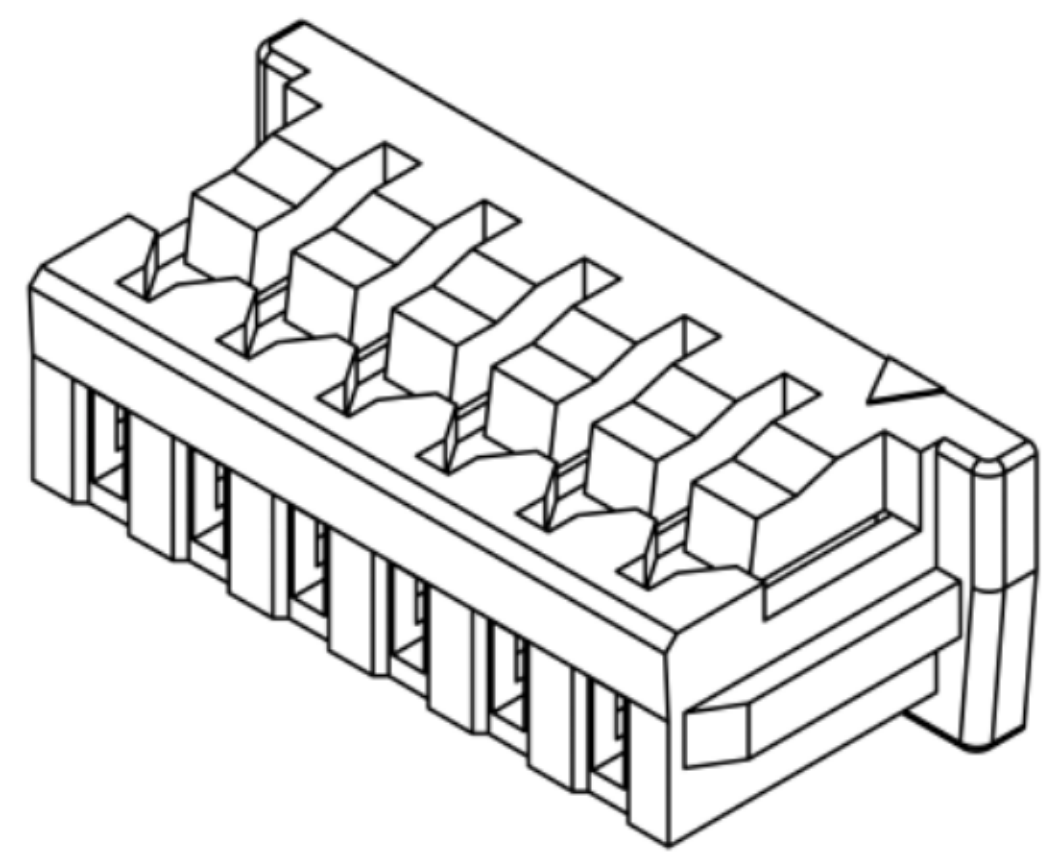
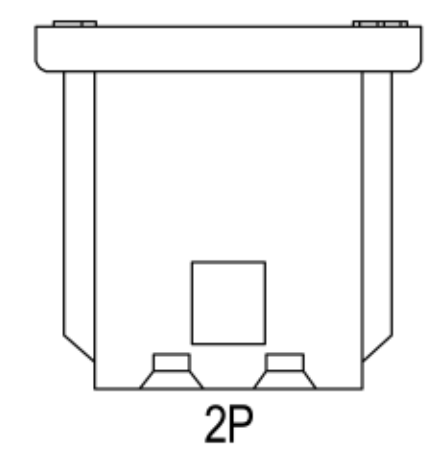
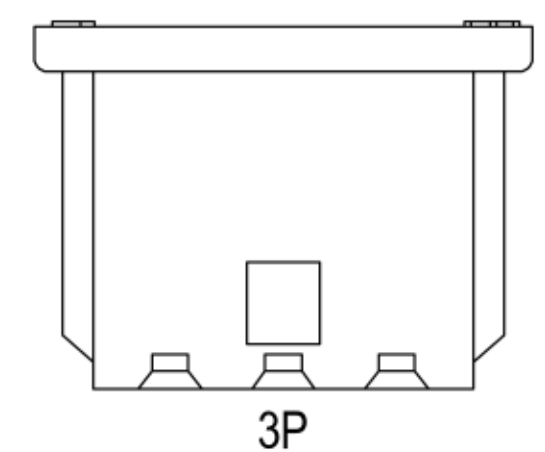
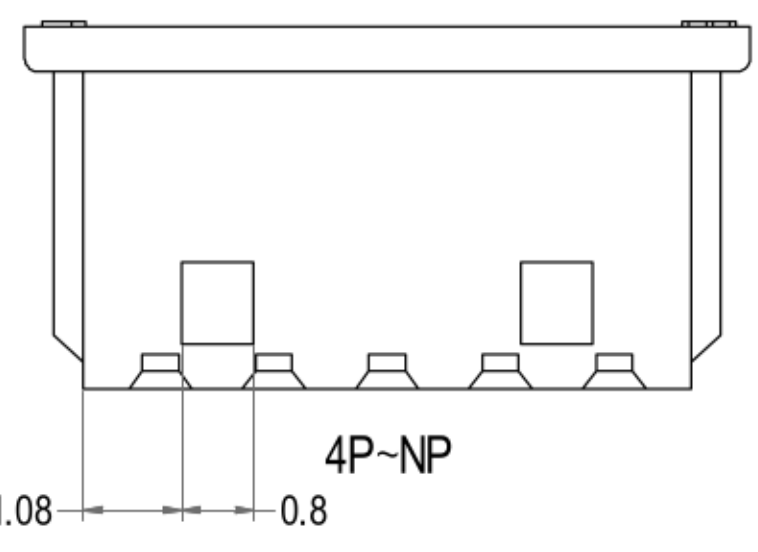
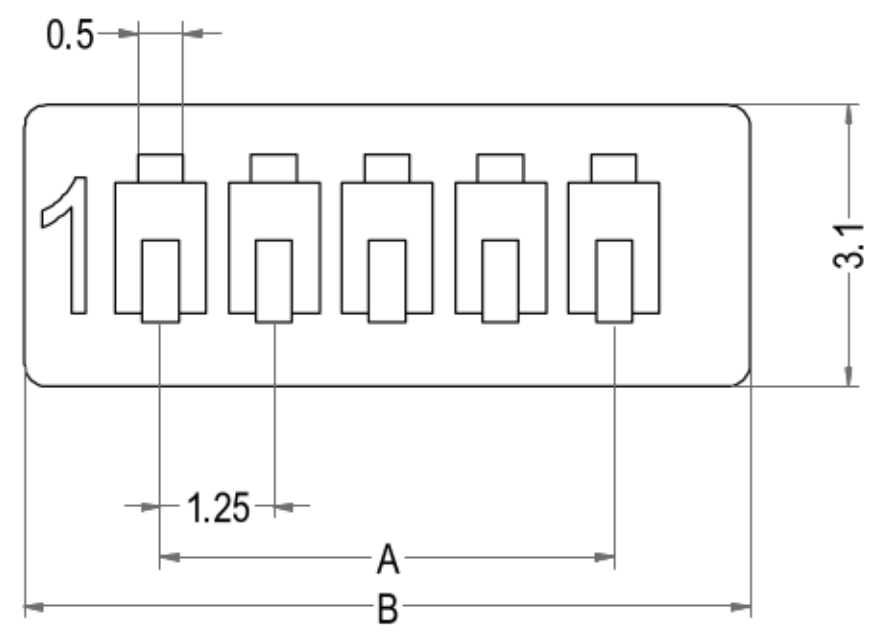
REVISION DATA				
SYM	REV	DESCRIPTION	DATE	APPR.
	00	new part	29.05.17	MR



**Technical Specification**

Current Rating: 1A AC, DC  
 Voltage Rating: 125V AC,DC  
 Temperature: -25°C to +85°C  
*high temperature: on request*  
 Contact Resistance: 20mΩ  
 Insulation Resistance: 100MΩ  
 Withstanding Voltage: 500V AC/minute  
 Material: Thermoplastic, UL94V-0

Circuit No.	Dimensions			Circuit No.	Dimensions		
	A	B	C		A	B	C
02P	1.25	4.25	2.95	12P	13.75	16.75	15.45
03P	2.50	5.50	4.20	13P	15.00	18.00	16.70
04P	3.75	6.75	5.45	14P	16.25	19.25	17.95
05P	5.00	8.00	6.70	15P	17.50	20.50	19.20
06P	6.25	9.25	7.95	16P	18.75	21.75	20.45
07P	7.50	10.50	9.20	17P	20.00	23.00	21.70
08P	8.75	11.75	10.45	18P	21.25	24.25	22.95
09P	10.00	13.00	11.70	19P	22.50	25.50	24.20
10P	11.25	14.25	12.95	19P	22.50	25.50	24.20
11P	12.50	15.50	14.20	20P	23.75	26.75	25.45



**order information**

D125404	xx	xx	xx
No. of Positions	Packaging	Special Customer	
02~20	A= bag	xx= on request	
xx= on request	xx= on request		

<p>Tolerance:          &gt;0-3 ±0.12          &gt;3-18 ±0.15          &gt;18-50 ±0.3          &gt;50-120 ±0.5</p>	PROJECTON		Single Row Housing Straight Type		
	DATE	29.05.2017	Customer Drawing- No.:		
	DRAWN	MR	Drawing- No.: 2161119		
	CHECKED	BR			
	APPROVED	BR	UNIT: mm	SCALE:	SIZE: A4

4

3

2

1

4

3

2

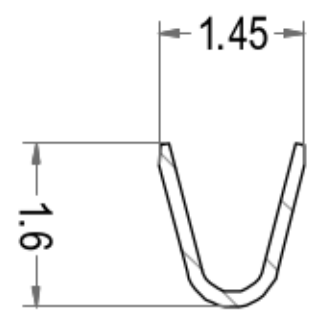
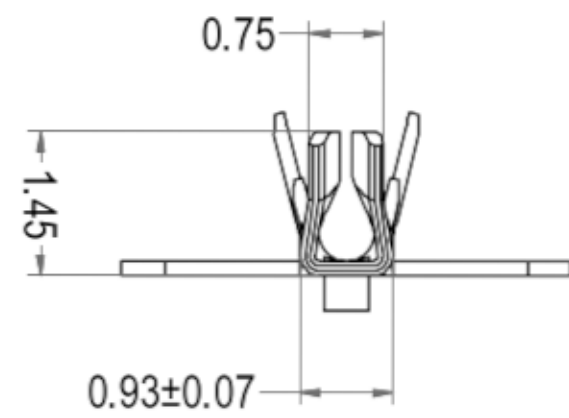
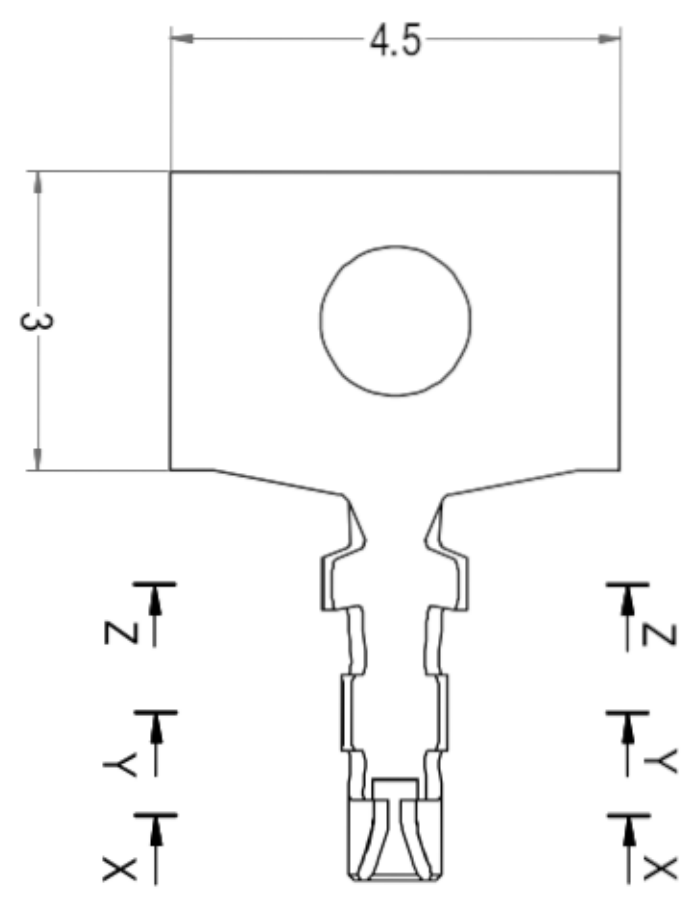
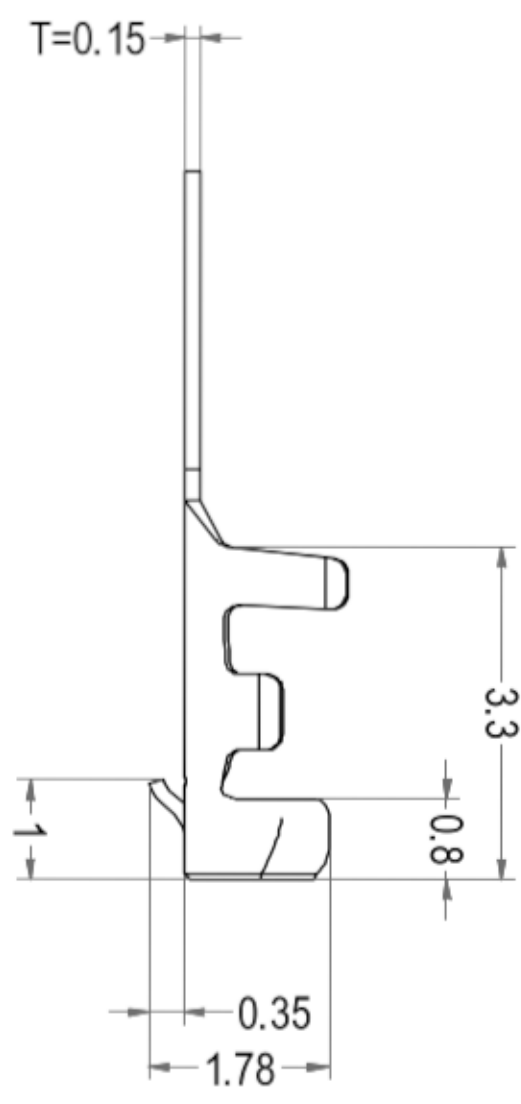
1



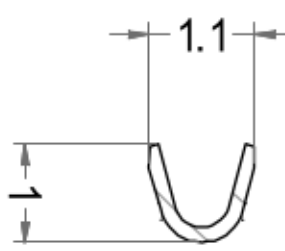
REVISION DATA				
SYM	REV	DESCRIPTION	DATE	APPR.
	00	new part	29.05.17	MR

**Technical Specification**

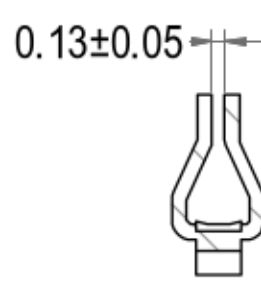
Current Rating:	1A AC,DC
Voltage Rating:	125V AC,DC
Temperature:	-25°C to +85°C
<i>high temperature:</i>	-40°C to +105°C
Contact Resistance:	20mΩ
Insulation Resistance:	100MΩ
Withstanding Voltage:	500V AC/minute
Type:	AWG #28 to #32, O.D.: 1.00mm (max)
Material:	Phosphor Bronze, Sn-plated



Z-Z



Y-Y



X-X

**order information**

E125404	xx	xx	xx
	Plating Option	Packaging	Special Customer
	01= gold flash	D= tape&reel	xx= on request
	100= tin	xx= on request	
	xx= on request		



**Terminal Crimp**

Tolerance:

>0-3	±0.12
>3-18	±0.15
>18-50	±0.3
>50-120	±0.5

PROJECTON	
DATE	29.05.2017
DRAWN	MR
CHECKED	BR
APPROVED	BR

Customer Drawing- No.:	
Drawing- No.:	2161118
UNIT:	mm
SCALE:	
SIZE:	A4

4

3

2

1