

4

3

2

1

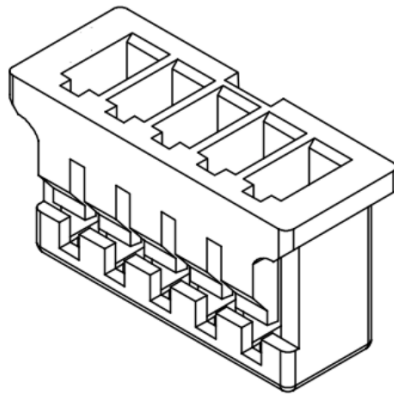
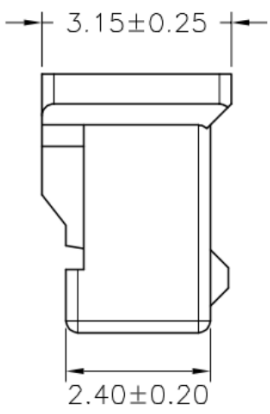
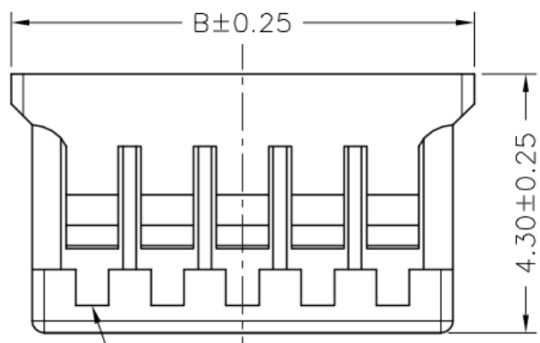
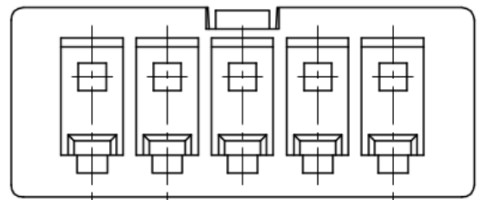


REVISION DATA				
SYM	REV	DESCRIPTION	DATE	APPR.
	00	new part	29.05.17	MR

Technical Specification

Current Rating: 1A AC, DC
Voltage Rating: 200V AC,DC
Temperature: -25°C to +85°C
high temperature: on request
Contact Resistance: 20mΩ
Insulation Resistance: 100MΩ
Withstanding Voltage: 500V AC/minute
Material: Thermoplastic, UL94V-0

Circuit No.	Dimensions	
	A	B
02P	1.25	3.95
03P	2.50	5.20
04P	3.75	6.45
05P	5.00	7.70
06P	6.25	8.95
07P	7.50	10.20
08P	8.75	11.45
09P	10.00	12.70
10P	11.25	13.95
11P	12.50	15.20
12P	13.75	16.45
13P	15.00	17.70
14P	16.25	18.95
15P	17.50	20.20



order information

D125405	xx	xx	xx
No. of Positions	Packaging	Special Customer	
02~15	A= bag	xx= on request	
xx= on request	xx= on request		

BRCONNECTORS

Single Row Housing
Straight Type

Tolerance: .X ± 0.25 .XX ± 0.15 .XXX ± 0.05	PROJECTON				
	DATE	29.05.2017	Customer Drawing-No.:		
	DRAWN	MR	Drawing-No.: 2161127		
	CHECKED	BR			
	APPROVED	BR	UNIT:	SCALE:	SIZE: A4

