

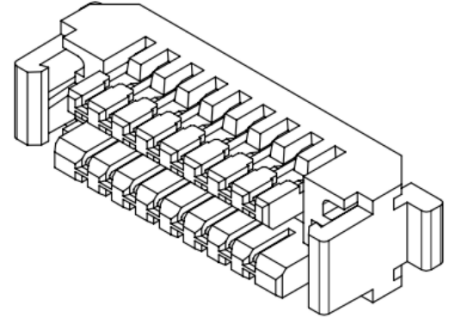
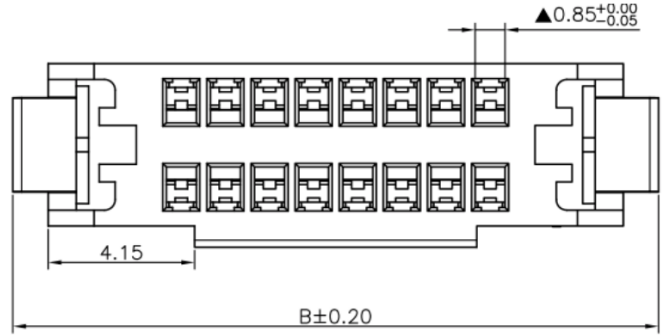
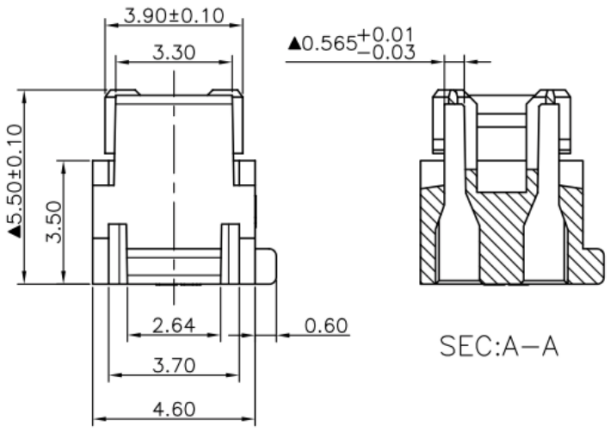
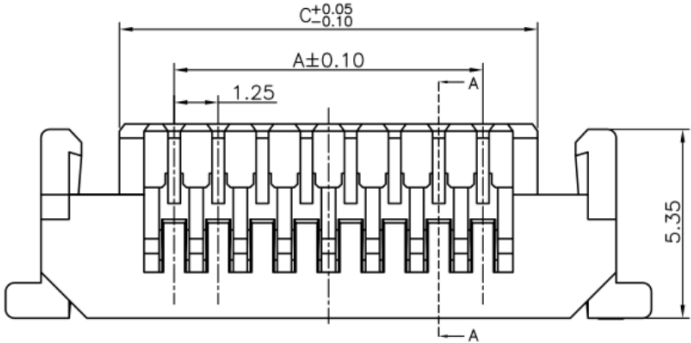
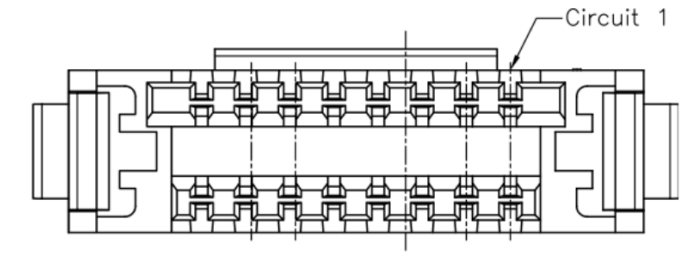
RoHS
REACH
compliant

REVISION DATA				
SYM	REV	DESCRIPTION	DATE	APPR.
	00	new part	19.06.17	MR

Technical Specification

Current Rating: 1A AC, DC
 Voltage Rating: 150V AC, DC
 Temperature: -25°C to +85°C
high temperature: on request
 Contact Resistance: 30mΩ
 Insulation Resistance: 500MΩ
 Withstanding Voltage: 500V AC/minute
 Material: Thermoplastic, UL94V-0

Circuit No.	Dimensions		
	A	B	C
2X05P	5.00	14.55	8.10
2X07P	7.50	17.05	10.60
2X08P	8.75	18.30	11.85
2X10P	11.25	20.80	14.35
2X15P	17.50	27.05	20.60
2X18P	21.25	30.80	24.35
2X20P	23.75	33.30	26.85
2X21P	25.00	34.55	28.10
2X25P	30.00	39.55	33.10
2X30P	36.25	45.80	39.35



order information

D125406	xx	xx	xx
No. of Positions	Packaging	Special Customer	
10-60	A= bag	xx= on request	
xx= on request	xx= on request		

	Dual Row Housing Straight Type		
	PROJECTON		
	DATE	19.06.2017	Customer Drawing-No.:
	DRAWN	MR	Drawing-No.: 2161132
	CHECKED	BR	
APPROVED	BR	UNIT: mm	SCALE: SIZE: A4

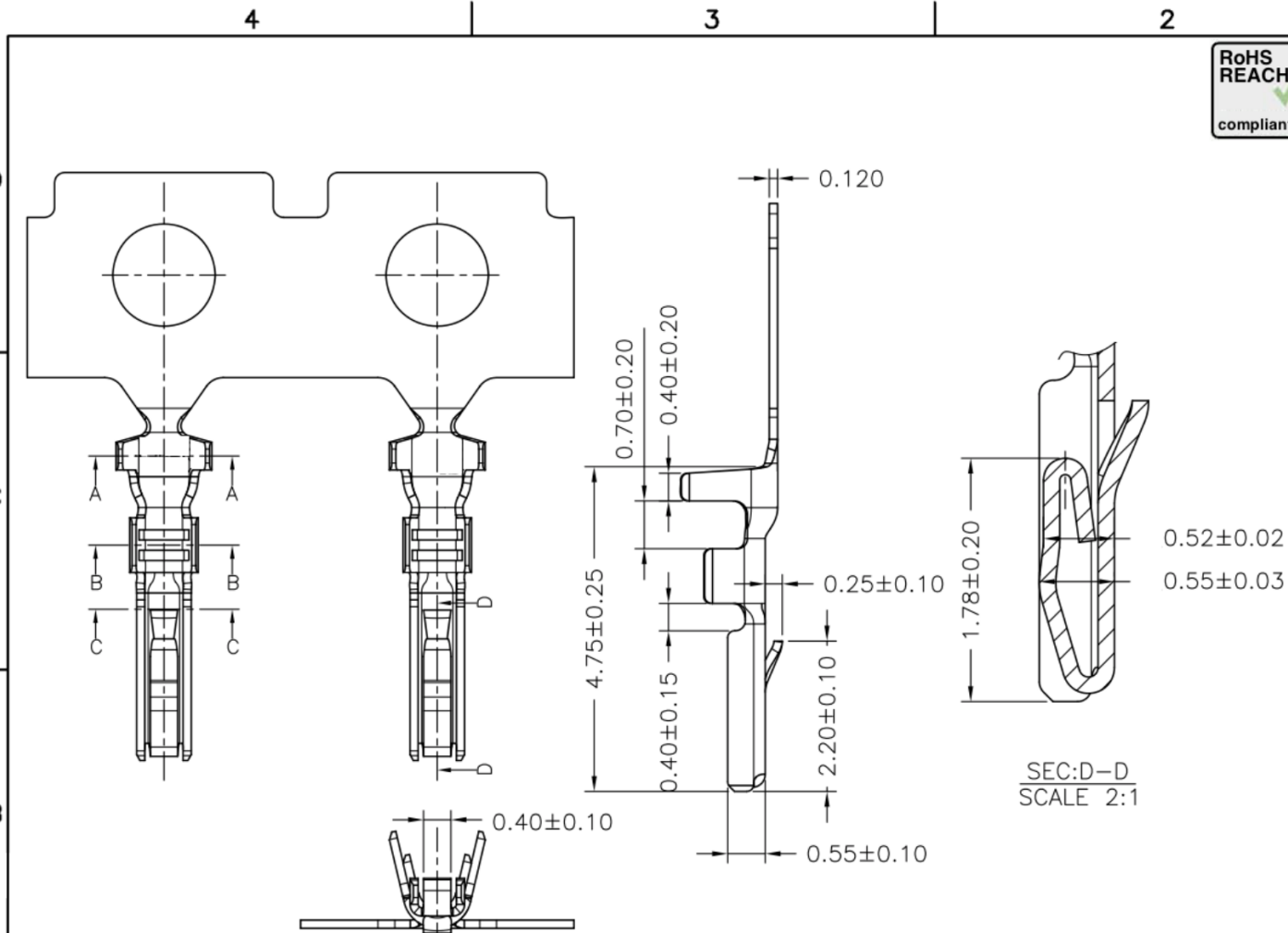
Diese Zeichnung ist ausdrücklich Eigentum der BR-connectors GmbH. Ohne vorherige Zustimmung seitens der BR-connectors GmbH darf diese nicht vervielfältigt, noch an Dritte zugänglich gemacht werden. Wir behalten uns alle Rechte vor, auch im Falle einer Patentierung nach Gebrauchsmusterprüfung.

RoHS
REACH
compliant

REVISION DATA				
SYM	REV	DESCRIPTION	DATE	APPR.
	00	new part	19.06.17	MR

Technical Specification

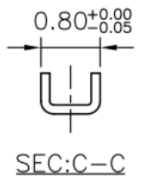
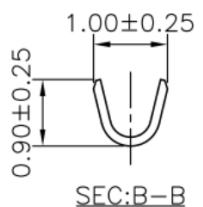
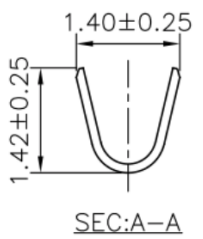
Current Rating: 1A AC,DC
 Voltage Rating: 50V AC,DC
 Temperature: -25°C to +85°C
high temperature: -40°C to +105°C
 Contact Resistance: 20mΩ
 Insulation Resistance: 100MΩ
 Withstanding Voltage: 500V AC/minute
 Type: AWG #28 to #32, O.D.: 0.80mm (max)
 Material: Phosphor Bronze, Sn-plated



SEC:D-D
SCALE 2:1

order information

E125406	xx	xx	xx
Plating Option	Packaging	Special Customer	
01= gold flash	D= tape&reel	xx= on request	
100= tin	xx= on request		
	xx= on request		



	Terminal Crimp		
	PROJECTON		
	DATE	19.06.2017	
	DRAWN	MR	
	CHECKED	BR	
APPROVED	BR		
	UNIT:	SCALE:	SIZE:
	mm		A4