

4

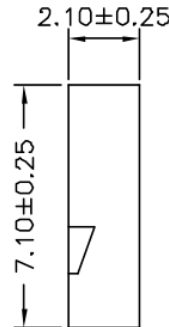
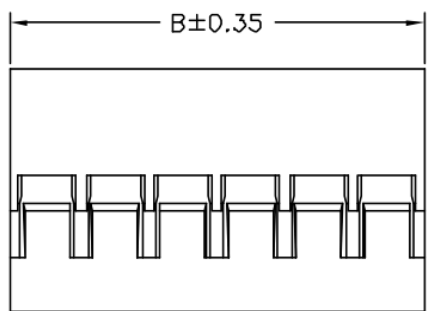
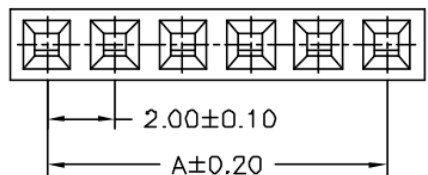
3

2

1



REVISION DATA				
SYM	REV	DESCRIPTION	DATE	APPR.
	00	new part	29.06.17	MR



Technical Specification

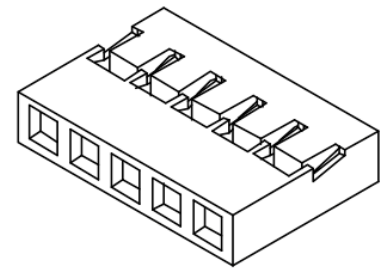
Current Rating: 2A AC, DC
Voltage Rating: 250V AC,DC
Temperature: -25°C to +85°C
high temperature: on request
Contact Resistance: 20mΩ
Insulation Resistance: 1000MΩ
Withstanding Voltage: 1000V AC/minute
Material: Thermoplastic, UL94V-0

Dimensions

Circuit No.	Dimensions		Circuit No.	Dimensions	
	A	B		A	B
02P	2.00	4.20	17P	32.00	34.20
03P	4.00	6.20	18P	34.00	36.20
04P	6.00	8.20	19P	36.00	38.20
05P	8.00	10.20	20P	38.00	40.20
06P	10.00	12.20	21P	40.00	42.20
07P	12.00	14.20	22P	42.00	44.20
08P	14.00	16.20	23P	44.00	46.20
09P	16.00	18.20	24P	46.00	48.20
10P	18.00	20.20	25P	48.00	50.20
11P	20.00	22.20	26P	50.00	52.20
12P	22.00	24.20	27P	52.00	54.20
13P	24.00	26.20	28P	54.00	56.20
14P	26.00	28.20	29P	56.00	58.20
15P	28.00	30.20	30P	58.00	60.20
16P	30.00	32.20			

order information

D200407	xx	xx	xx
No. of Positions	Packaging	Special Customer	
02*30	A= bag	xx= on request	
xx= on request	xx= on request		



PROJECTON

DATE 29.06.2017

DRAWN MR

CHECKED BR

APPROVED BR

Single Row Housing Straight Type

Customer Drawing-No.:

Drawing-No.: 2161311

UNIT: mm SCALE: SIZE: A4

D

C

B

A

D

C

B

4

3

2

1

4

3

2

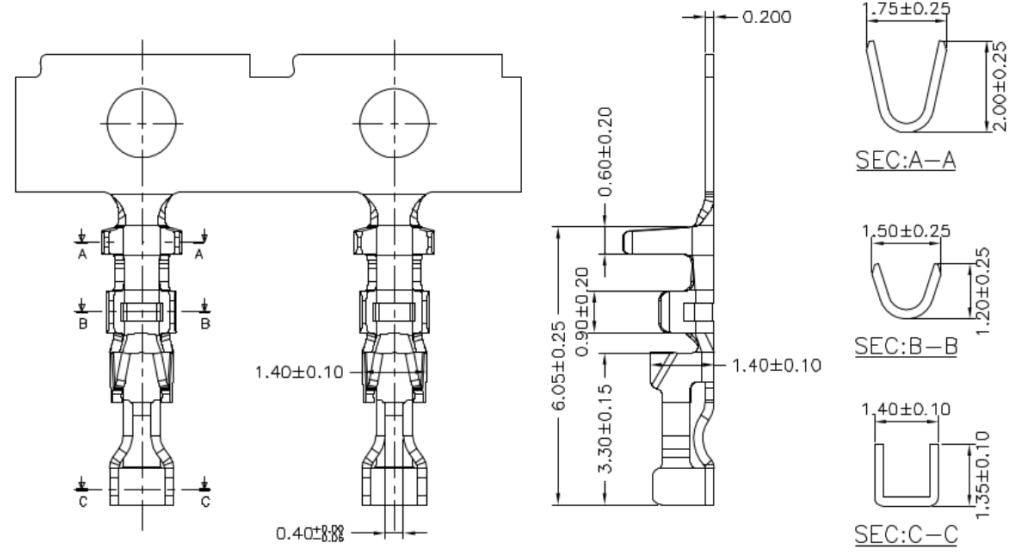
1



REVISION DATA				
SYM	REV	DESCRIPTION	DATE	APPR.
	00	new part	29.06.17	MR

Technical Specification

Current Rating: 2A AC,DC
Voltage Rating: 250V AC,DC
Temperature: -25°C to +85°C
high temperature: -40°C to +105°C
Contact Resistance: 20mΩ
Insulation Resistance: 1000MΩ
Withstanding Voltage: 1000V AC/minute
Type: AWG #26 to #30 O.D.: 1.40mm (max)
Material: Phosphor Bronze



order information

E200407	xx	xx	xx
Plating Option	Packaging	Special Customer	
01= gold flash	D= tape&reel	xx= on request	
100= tin	xx= on request		
	xx= on request		

	Terminal Crimp		
	PROJECTON		
	DATE	29.06.2017	
	DRAWN	MR	
	CHECKED	BR	
APPROVED	BR		
	UNIT:	SCALE:	SIZE:
	mm		A4

Diese Zeichnung ist ausdrücklich Eigentum der BR-connectors GmbH. Ohne vorherige Zustimmung seitens der BR-connectors GmbH darf diese nicht vervielfältigt, noch an Dritte zugänglich gemacht werden. Wir behalten uns alle Rechte vor, auch im Falle einer Patentierung nach Gebrauchsmusterprüfung.