

4

3

2

1

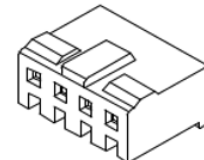
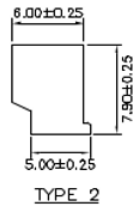
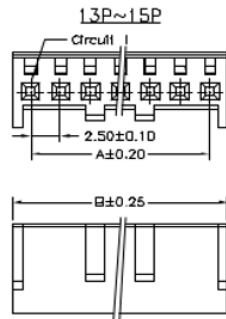
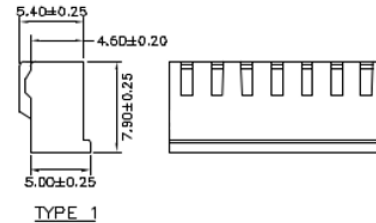
RoHS REACH compliant

REVISION DATA				
SYM	REV	DESCRIPTION	DATE	APPR.
	00	new part	03.08.17	MR

Technical Specification

Current Rating: 3A AC, DC  
 Voltage Rating: 500V AC,DC  
 Temperature: -25°C to +85°C  
*high temperature: on request*  
 Contact Resistance: 20mΩ  
 Insulation Resistance: 100MΩ  
 Withstanding Voltage: 1500V AC/minute  
 Material: Thermoplastic, UL94V-0

Circuit No.	Dimensions	
	A	B
02P	2.50	5.50
03P	5.00	8.00
04P	7.50	10.50
05P	10.00	13.00
06P	12.50	15.50
07P	15.00	18.00
08P	17.50	20.50
09P	20.00	23.00
10P	22.50	25.50
11P	25.00	28.00
12P	27.50	30.50
13P	30.00	33.00
14P	32.50	35.50
15P	35.00	38.00



order information

D250403	-	xx	xx	xx	-	xx
No. of Positions		Type	Packaging	Special Customer		
02~15		1= Type 1	A= bag	xx= on request		
xx= on request		2= Type 2	xx= on request			

	<b>PROJECTON</b>		<b>Single Row Housing Straight Type</b>			
	<b>DATE</b>	03.08.2017	Customer Drawing-No.:			
	<b>DRAWN</b>	MR	Drawing-No.: 2161342			
	<b>CHECKED</b>	BR				
	<b>APPROVED</b>	BR	<b>UNIT:</b> mm	<b>SCALE:</b>	<b>SIZE:</b> A4	

4

3

2

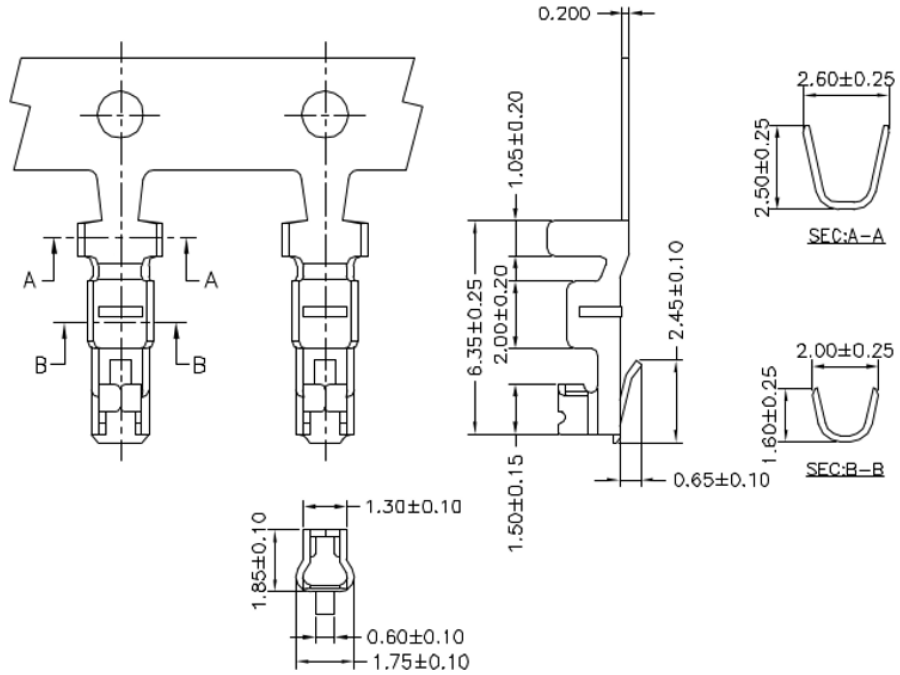
1

RoHS REACH compliant

REVISION DATA				
SYM	REV	DESCRIPTION	DATE	APPR.
	00	new part	03.08.17	MR

Technical Specification

Current Rating: 3A AC,DC  
Voltage Rating: 500V AC,DC  
Temperature: -25°C to +85°C  
*high temperature:* -40°C to +105°C  
Contact Resistance: 20mΩ  
Insulation Resistance: 100MΩ  
Withstanding Voltage: 1500V AC/minute  
Type: AWG #22 to #28, O.D.: 1.70mm (max)  
Material: Phosphor Bronze, Sn-plated



order information

E250403	xx	xx	xx
Plating Option	Packaging	Special Customer	
01= gold flash	D= tape&reel	xx= on request	
100= tin	xx= on request		
xx= on request			

	<b>Terminal Crimp</b>		
	PROJECTON		Customer Drawing-No.:
	DATE	03.08.2017	Drawing-No.: 2161341
	DRAWN	MR	
	CHECKED	BR	
APPROVED	BR	UNIT: mm	SCALE: SIZE: A4

Diese Zeichnung ist ausdrücklich Eigentum der BR-connectors GmbH. Ohne vorherige Zustimmung seitens der BR-connectors GmbH darf diese nicht vervielfältigt, noch an Dritte zugänglich gemacht werden. Wir behalten uns alle Rechte vor, auch im Falle einer Patentierung nach Gebrauchsmusterprüfung.