

4

3

2

1

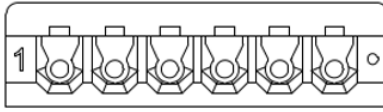
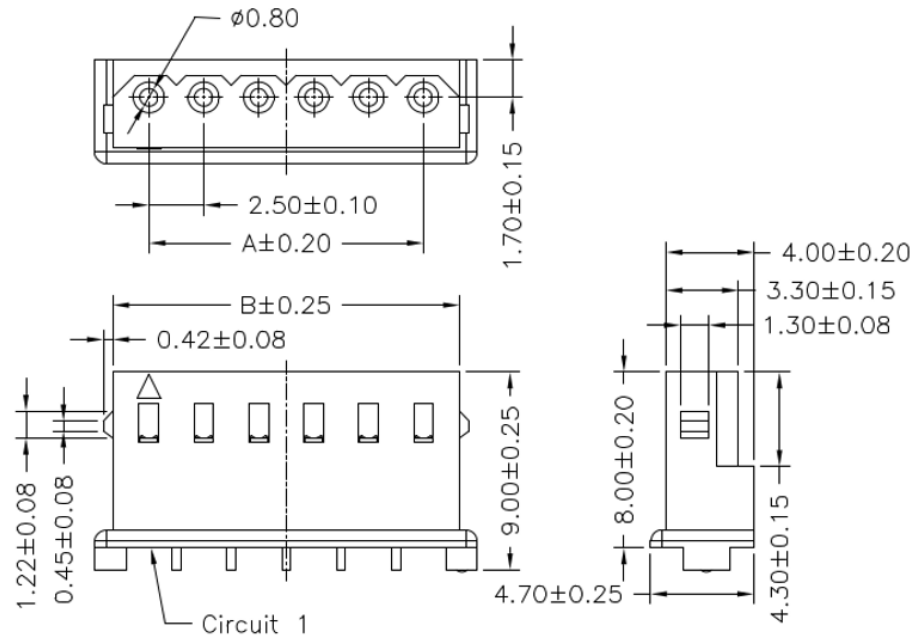


REVISION DATA				
SYM	REV	DESCRIPTION	DATE	APPR.
	00	new part	03.08.17	MR

Technical Specification

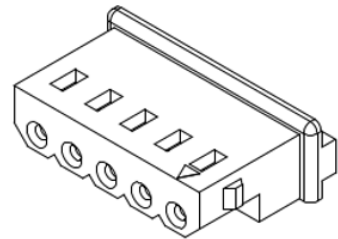
Current Rating: 3A AC, DC
 Voltage Rating: 250V AC, DC
 Temperature: -25°C to +85°C
high temperature: on request
 Contact Resistance: 20mΩ
 Insulation Resistance: 1000MΩ
 Withstanding Voltage: 1000V AC/minute
 Material: Thermoplastic, UL94V-0

Circuit No.	Dimensions		Circuit No.	Dimensions	
	A	B		A	B
02P	2.50	5.80	10P	22.50	25.80
03P	5.00	8.30	11P	25.00	28.30
04P	7.50	10.80	12P	27.50	30.80
05P	10.00	13.30	13P	30.00	33.30
06P	12.50	15.80	14P	32.50	35.80
07P	15.00	18.30	15P	35.00	38.30
08P	17.50	20.80	16P	37.50	40.80
09P	20.00	23.30			



order information

D250405	-	xx	-	xx	-	xx
No. of Positions		Packaging		Special Customer		
02~16		A= bag		xx= on request		
xx= on request		xx= on request				



**Single Row Housing
Straight Type**

Tolerance: .X ± 0.25 .XX ± 0.15 .XXX ± 0.05	PROJECTON				
	DATE	03.08.2017	Customer Drawing-No.:		
	DRAWN	MR	Drawing-No.: 2161350		
	CHECKED	BR			
	APPROVED	BR	UNIT: mm	SCALE:	SIZE: A4

Diese Zeichnung ist ausdrücklich Eigentum der BR-connectors GmbH. Ohne vorherige Zustimmung seitens der BR-connectors GmbH darf diese nicht vervielfältigt, noch an Dritte zugänglich gemacht werden. Wir behalten uns alle Rechte vor, auch im Falle einer Patentierung nach Gebrauchsmusterprüfung.

4

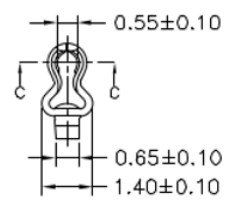
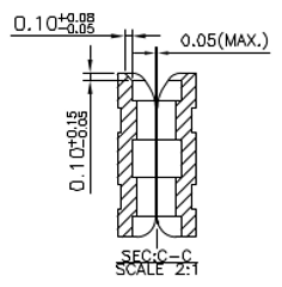
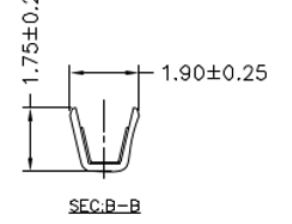
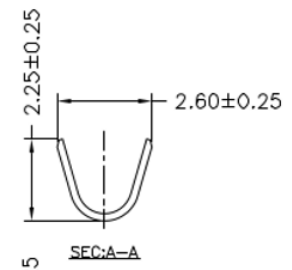
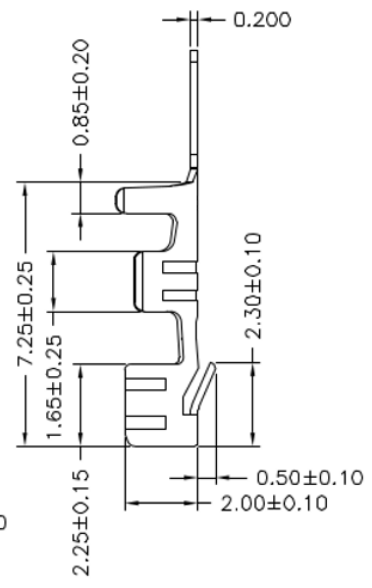
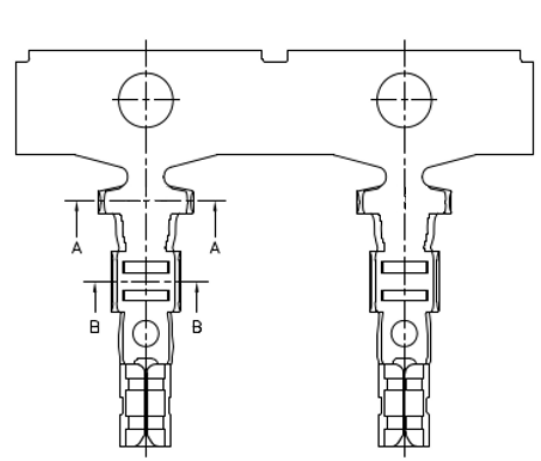
3

2

1

RoHS REACH compliant

REVISION DATA				
SYM	REV	DESCRIPTION	DATE	APPR.
	00	new part	03.08.17	MR



Technical Specification

Current Rating: 3A AC,DC
 Voltage Rating: 250V AC,DC
 Temperature: -25°C to +85°C
high temperature: -40°C to +105°C
 Contact Resistance: 20mΩ
 Insulation Resistance: 1000MΩ
 Withstanding Voltage: 1000V AC/minute
 Type: AWG #22 to #28, O.D.: 1.90mm (max)
 Material: Phosphor Bronze, Sn-plated

order information

E250405	xx	xx	xx
Plating Option	Packaging	Special Customer	
01= gold flash	D= tape&reel	xx= on request	
100= tin	xx= on request		
	xx= on request		

	Terminal Crimp		
	PROJECTON		
	DATE	03.08.2017	Customer Drawing-No.:
	DRAWN	MR	Drawing-No.: 2161349
	CHECKED	BR	
APPROVED	BR	UNIT: mm	SCALE: SIZE: A4