

4

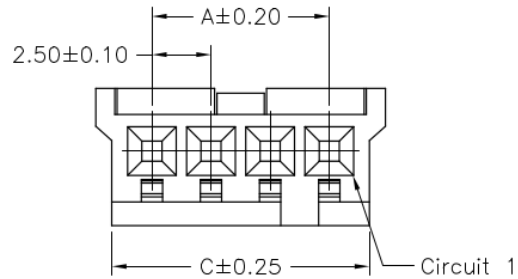
3

2

1



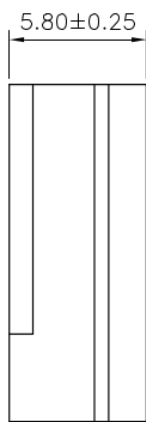
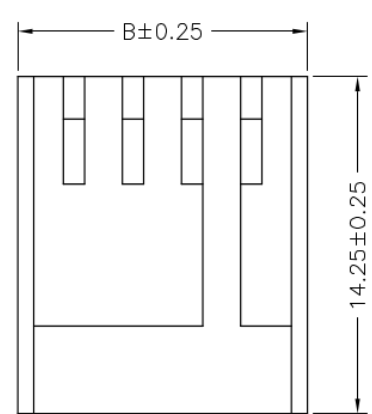
REVISION DATA				
SYM	REV	DESCRIPTION	DATE	APPR.
	00	new part	03.08.17	MR



**Technical Specification**

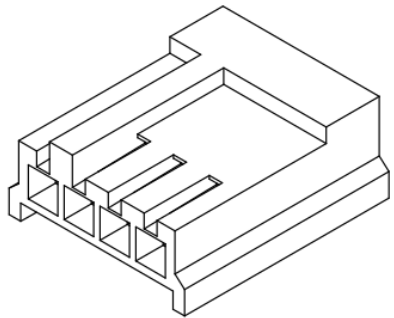
Current Rating: 3A AC, DC  
Voltage Rating: 250V AC,DC  
Temperature: -25°C to +85°C  
*high temperature:* on request  
Contact Resistance: 10mΩ  
Insulation Resistance: 500MΩ  
Withstanding Voltage: 800V AC/minute  
Material: Thermoplastic, UL94V-0

Circuit No.	Dimensions		
	A	B	C
02P	2.50	7.25	5.90
03P	5.00	9.75	8.40
04P	7.50	12.25	10.90
05P	10.00	14.75	13.40
06P	12.50	17.25	15.90
07P	15.00	19.75	18.40
08P	17.50	22.25	20.90
09P	20.00	24.75	23.40
10P	22.50	27.25	25.90
11P	25.00	29.75	28.40
12P	27.50	32.25	30.90
13P	30.00	34.75	33.40
14P	32.50	37.25	35.90
15P	35.00	39.75	38.40



**order information**

D250408	-	xx	-	xx	-	xx
No. of Positions		Packaging		Special Customer		
02-15		A= bag		xx= on request		
		xx= on request		xx= on request		



**Single Row Housing  
Straight Type**

<b>Tolerance:</b> .X ± 0.25 .XX ± 0.15 .XXX ± 0.05	<b>PROJECTON</b>				
	<b>DATE</b>	03.08.2017	Customer Drawing-No.:		
	<b>DRAWN</b>	MR	Drawing-No.: 2161362		
	<b>CHECKED</b>	BR			
	<b>APPROVED</b>	BR	<b>UNIT:</b> mm	<b>SCALE:</b>	<b>SIZE:</b> A4

D  
C  
B  
A

D  
C  
B

4

3

2

1

Diese Zeichnung ist ausdrücklich Eigentum der BR-connectors GmbH. Ohne vorherige Zustimmung seitens der BR-connectors GmbH darf diese nicht vervielfältigt, noch an Dritte zugänglich gemacht werden. Wir behalten uns alle Rechte vor, auch im Falle einer Patentierung nach Gebrauchsmusterprüfung.

4

3

2

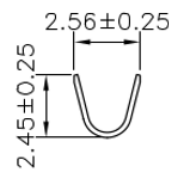
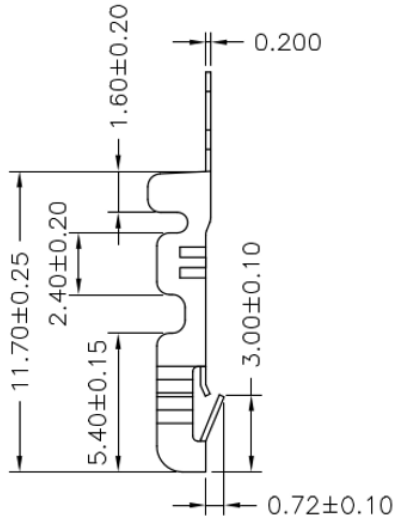
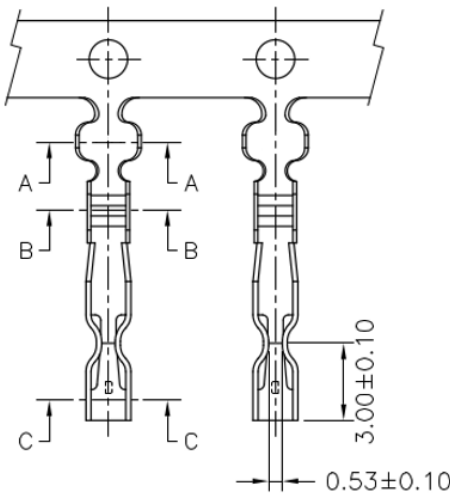
1

RoHS REACH compliant

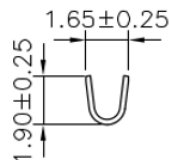
REVISION DATA				
SYM	REV	DESCRIPTION	DATE	APPR.
	00	new part	03.08.17	MR

Technical Specification

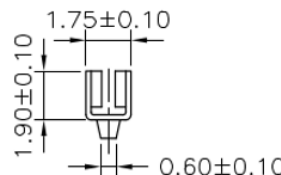
Current Rating: 3A AC,DC  
Voltage Rating: 250V AC,DC  
Temperature: -25°C to +85°C  
*high temperature:* -40°C to +105°C  
Contact Resistance: 10mΩ  
Insulation Resistance: 500MΩ  
Withstanding Voltage: 800V AC/minute  
Type: AWG #20 to #26, O.D.: 1.90mm (max)  
Material: Brass



SEC:A-A



SEC:B-B



SEC:C-C

order information

E250408	xx	xx	xx
Plating Option	Packaging	Special Customer	
01= gold flash	D= tape&reel	xx= on request	
100= tin	xx= on request		
	xx= on request		



Terminal Crimp

Tolerance: .X ± 0.25 .XX ± 0.15 .XXX ± 0.05	PROJECTON				
	DATE	03.08.2017	Customer Drawing-No.:		
	DRAWN	MR	Drawing-No.: 2161361		
	CHECKED	BR			
	APPROVED	BR	UNIT:	SCALE:	SIZE:

UNIT: mm SCALE: SIZE: A4