

4

3

2

1

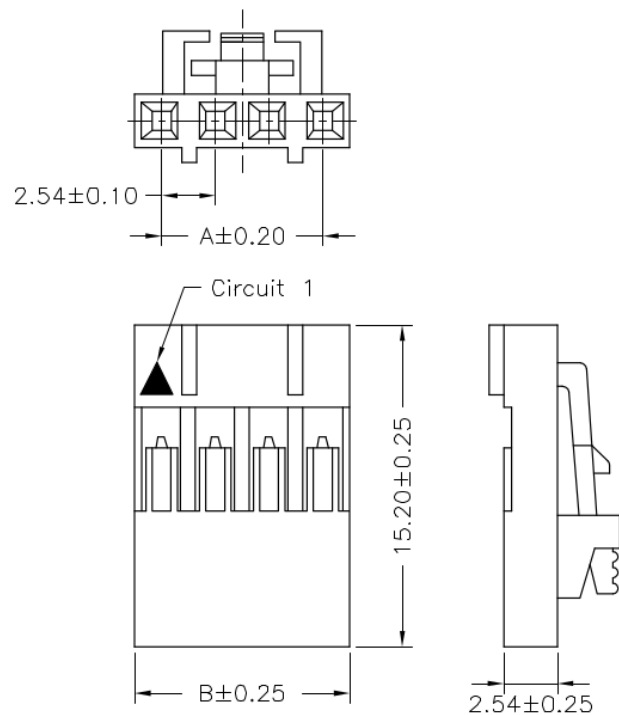
RoHS REACH compliant

REVISION DATA				
SYM	REV	DESCRIPTION	DATE	APPR.
	00	new part	03.08.17	MR

Technical Specification

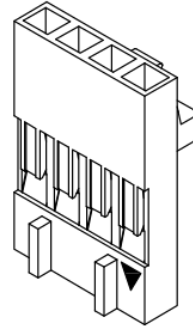
Current Rating: 3A AC, DC
 Voltage Rating: 250V AC,DC
 Temperature: -25°C to +85°C
high temperature: on request
 Contact Resistance: 20mΩ
 Insulation Resistance: 1000MΩ
 Withstanding Voltage: 1500V AC/minute
 Material: Thermoplastic, UL94V-0

Circuit No.	Dimensions	
	A	B
02P	2.54	5.08
03P	5.08	7.62
04P	7.62	10.16
05P	10.16	12.70
06P	12.70	15.24
07P	15.24	17.78
08P	17.78	20.32
09P	20.32	22.86
10P	22.86	25.40
11P	25.40	27.94
12P	27.94	30.48



order information

D254401	xx	xx	xx
No. of Positions	Packaging	Special Customer	
02~12	A= bag	xx= on request	
xx= on request	xx= on request		



	PROJECTON		Single Row Housing Straight Type		
	DATE	03.08.2017	Customer Drawing-No.:		
	DRAWN	MR	Drawing-No.: 2161406		
	CHECKED	BR			
	APPROVED	BR	UNIT: mm	SCALE:	SIZE: A4

A

C

D

B

C

D

4

3

2

1

4

3

2

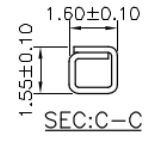
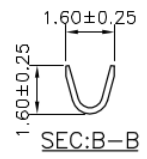
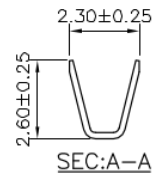
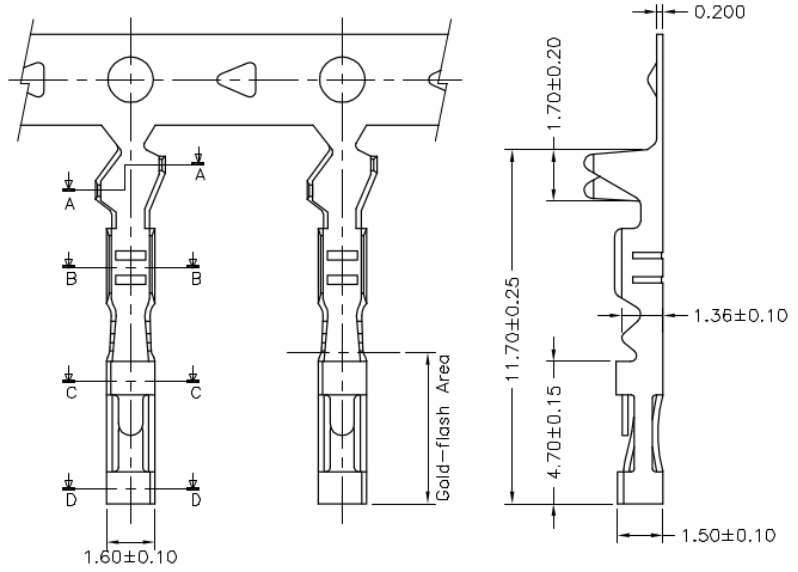
1

RoHS REACH compliant

REVISION DATA				
SYM	REV	DESCRIPTION	DATE	APPR.
	00	new part	03.08.17	MR

Technical Specification

Current Rating: 3A AC,DC
Voltage Rating: 250V AC,DC
Temperature: -25°C to +85°C
high temperature: -40°C to +105°C
Contact Resistance: 20mΩ
Insulation Resistance: 1000MΩ
Withstanding Voltage: 1500V AC/minute
Type: AWG #22 to #26, O.D.: 1.63mm (max)
Material: Phosphor Bronze



order information

E254401	xx	xx	xx
Plating Option	Packaging	Special Customer	
01= gold flash	D= tape&reel	xx= on request	
100= tin	xx= on request		
xx= on request			

	Terminal Crimp		
	PROJECTON		
	DATE	03.08.2017	Customer Drawing-No.:
	DRAWN	MR	Drawing-No.: 2161405
	CHECKED	BR	
APPROVED	BR	UNIT: mm	SCALE: SIZE: A4