

4

3

2

1

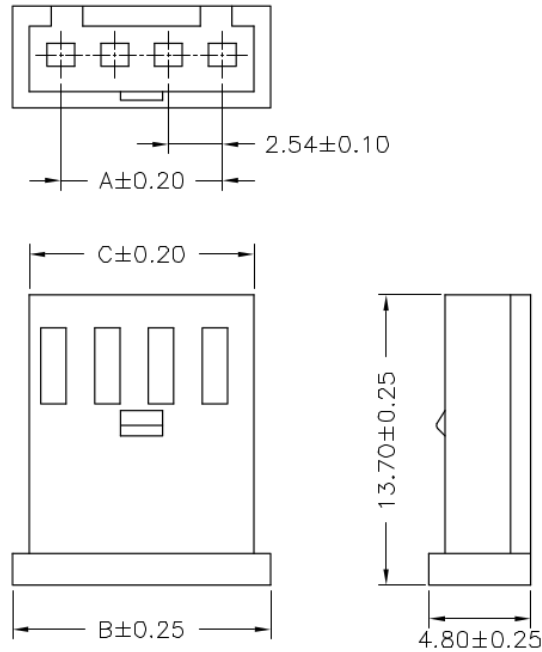
RoHS
REACH
compliant

REVISION DATA				
SYM	REV	DESCRIPTION	DATE	APPR.
	00	new part	03.08.17	MR

Technical Specification

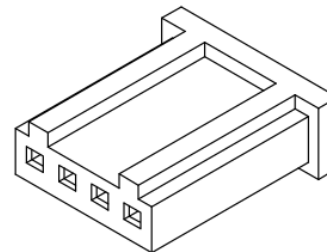
Current Rating: 3A AC, DC
 Voltage Rating: 250V AC,DC
 Temperature: -25°C to +85°C
high temperature: on request
 Contact Resistance: 20mΩ
 Insulation Resistance: 1000MΩ
 Withstanding Voltage: 1000V AC/minute
 Material: Thermoplastic, UL94V-0

Circuit No.	Dimensions		
	A	B	C
02P	2.54	7.10	5.60
04P	7.62	12.20	10.60
06P	12.70	17.30	15.70
08P	17.78	22.30	20.80



order information

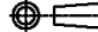
D254403	xx	xx	xx
No. of Positions	Packaging	Special Customer	
02-08	A= bag	xx= on request	
xx= on request	xx= on request		



 **BRCONNECTORS**

**Single Row Housing
Straight Type**

Tolerance:
 .X ± 0.25
 .XX ± 0.15
 .XXX ± 0.05

PROJECTON	
DATE	03.08.2017
DRAWN	MR
CHECKED	BR
APPROVED	BR

Customer
Drawing-No.:

Drawing-No.: 2161376

UNIT: mm SCALE: SIZE: A4

4

3

2

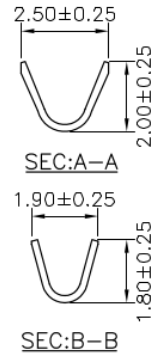
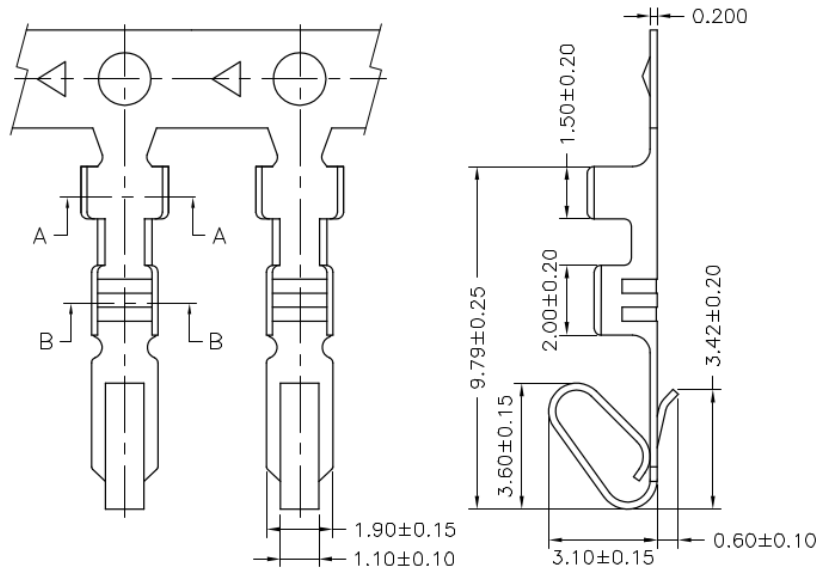
1

RoHS REACH compliant

REVISION DATA				
SYM	REV	DESCRIPTION	DATE	APPR.
	00	new part	03.08.17	MR

Technical Specification

Current Rating: 3A AC,DC
Voltage Rating: 250V AC,DC
Temperature: -25°C to +85°C
high temperature: -40°C to +105°C
Contact Resistance: 20mΩ
Insulation Resistance: 1000MΩ
Withstanding Voltage: 1000V AC/minute
Type: AWG #24 to #26, O.D.: 1.55mm (max)
Material: Phosphor Bronze



order information

E254403	xx	xx	xx
Plating Option	Packaging	Special Customer	
01= gold flash	D= tape&reel	xx= on request	
100= tin	xx= on request		
	xx= on request		



Terminal Crimp

Tolerance: .X ± 0.25 .XX ± 0.15 .XXX ± 0.05	PROJECTON				
	DATE	03.08.2017	Customer Drawing-No.:		
	DRAWN	MR	Drawing-No.: 2161379		
	CHECKED	BR			
	APPROVED	BR	UNIT:	SCALE:	SIZE:

mm A4