

4

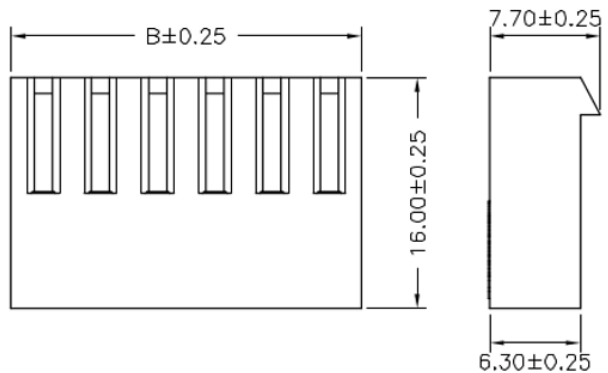
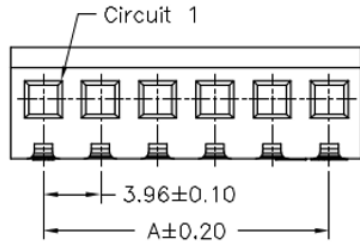
3

2

1



REVISION DATA				
SYM	REV	DESCRIPTION	DATE	APPR.
	00	new part	03.08.17	MR



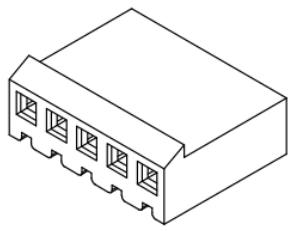
Technical Specification

Current Rating: 7A AC, DC
 Voltage Rating: 250V AC,DC
 Temperature: -25°C to +85°C
high temperature: on request
 Contact Resistance: 10mΩ
 Insulation Resistance: 1000MΩ
 Withstanding Voltage: 1500V AC/minute
 Material: Thermoplastic, UL94V-0

Circuit No.	Dimensions	
	A	B
02P	3.96	8.43
03P	7.92	12.39
04P	11.88	16.35
05P	15.84	20.31
06P	19.80	24.27
07P	23.76	28.23
08P	27.72	32.19
09P	31.68	36.15
10P	35.64	40.11
11P	39.60	44.07
12P	43.56	48.03
13P	47.52	51.99
14P	51.48	55.95
15P	55.44	59.91
16P	59.40	63.87
17P	63.36	67.83
18P	67.32	71.79
19P	71.28	75.75
20P	75.24	79.71

order information

D396401	-	xx	-	xx	-	xx
No. of Positions		Packaging		Special Customer		
02~20		A= bag		xx= on request		
xx= on request		xx= on request				



	Single Row Housing Straight Type		
	Tolerance:	PROJECTON	Customer Drawing-No.:
	.X ± 0.25	DATE 03.08.2017	Drawing-No.: 2161386
	.XX ± 0.15	DRAWN MR	
	.XXX ± 0.05	CHECKED BR	
	APPROVED BR	UNIT: mm	SCALE:
			SIZE: A4

D

C

B

A

D

C

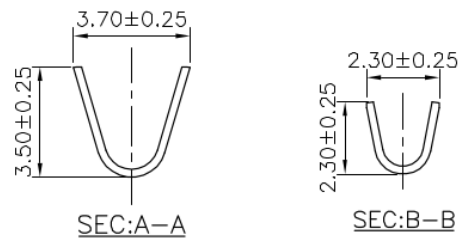
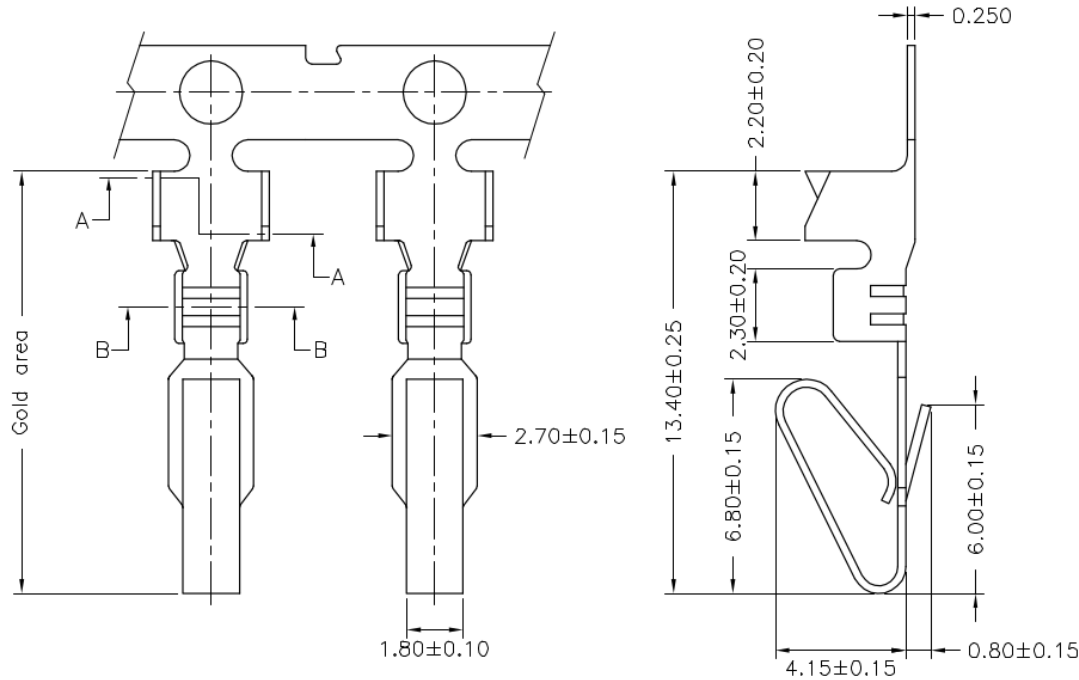
B

RoHS
REACH
compliant

REVISION DATA				
SYM	REV	DESCRIPTION	DATE	APPR.
	00	new part	03.08.17	MR

Technical Specification

Current Rating: 7A AC,DC
 Voltage Rating: 250V AC,DC
 Temperature: -25°C to +85°C
high temperature: -40°C to +105°C
 Contact Resistance: 10mΩ
 Insulation Resistance: 1000MΩ
 Withstanding Voltage: 1500V AC/minute
 Type: AWG #18 to #24, O.D.: 2.80mm (max)
 Material: Brass



order information

E396401	xx	xx	xx
Plating Option	Packaging	Special Customer	
01= gold flash	D= tape&reel	xx= on request	
100= tin	xx= on request		
	xx= on request		

	Terminal Crimp		
	PROJECTON		
	DATE	03.08.2017	Customer Drawing-No.:
	DRAWN	MR	Drawing-No.: 2161385
	CHECKED	BR	
APPROVED	BR	UNIT: mm	SCALE: SIZE: A4