

4

3

2

1

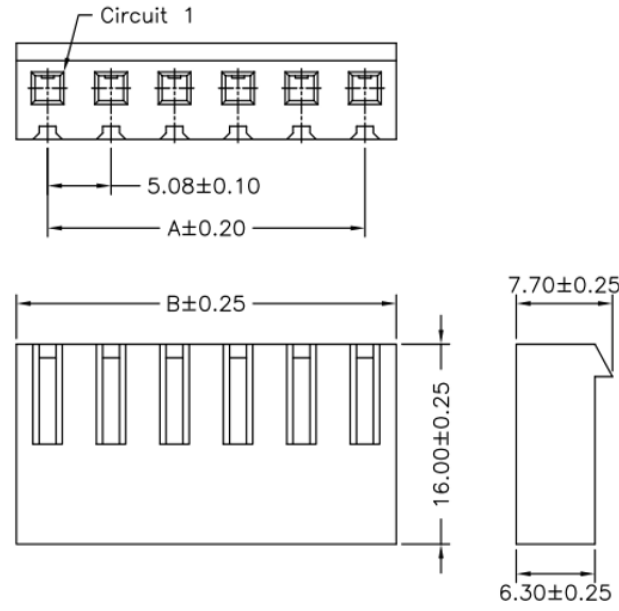
RoHS REACH compliant

REVISION DATA				
SYM	REV	DESCRIPTION	DATE	APPR.
	00	new part	03.08.17	MR

Technical Specification

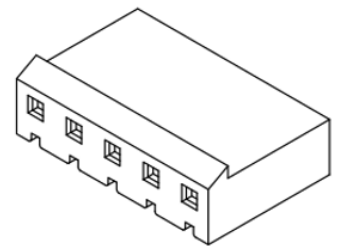
Current Rating: 7A AC, DC  
 Voltage Rating: 250V AC,DC  
 Temperature: -25°C to +85°C  
*high temperature: on request*  
 Contact Resistance: 10mΩ  
 Insulation Resistance: 1000MΩ  
 Withstanding Voltage: 1500V AC/minute  
 Material: Thermoplastic, UL94V-0

Circuit No.	Dimensions		Circuit No.	Dimensions	
	A	B		A	B
02P	5.08	10.08	12P	55.88	60.88
03P	10.16	15.16	13P	60.96	65.96
04P	15.24	20.24	14P	66.04	71.04
05P	20.32	25.32	15P	71.12	76.12
06P	25.40	30.40	16P	76.20	81.20
07P	30.48	35.48	17P	81.28	86.28
08P	35.56	40.56	18P	86.36	91.36
09P	40.64	45.64	19P	91.44	96.44
10P	45.72	50.72	20P	96.52	101.52
11P	50.80	55.80			



order information

D508401	xx	xx	xx
No. of Positions	Packaging	Special Customer	
02~20	A= bag	xx= on request	
xx= on request	xx= on request		



**BRCONNECTORS**

Single Row Housing Straight Type

<b>Tolerance:</b> .X ± 0.25 .XX ± 0.15 .XXX ± 0.05	PROJECTON				
	DATE	03.08.2017	Customer Drawing-No.:		
	DRAWN	MR	Drawing-No.: 2161397		
	CHECKED	BR			
	APPROVED	BR	UNIT:	SCALE:	SIZE: A4

4

3

2

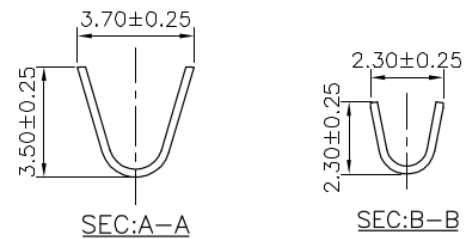
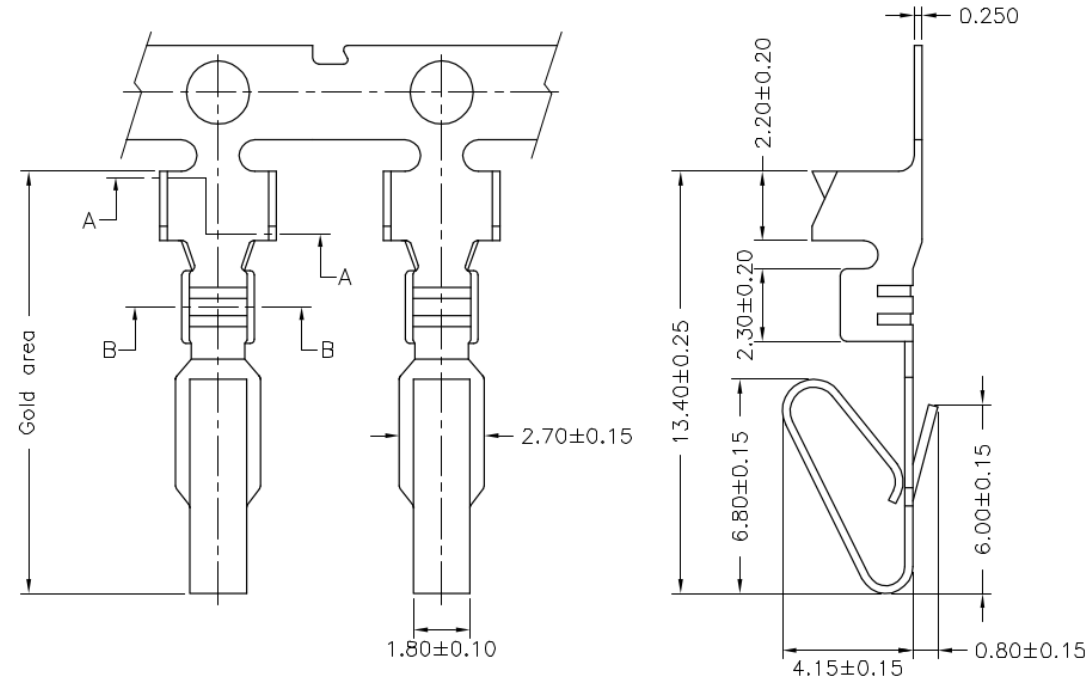
1



REVISION DATA				
SYM	REV	DESCRIPTION	DATE	APPR.
	00	new part	03.08.17	MR

**Technical Specification**

Current Rating: 7A AC,DC  
Voltage Rating: 250V AC,DC  
Temperature: -25°C to +85°C  
*high temperature:* -40°C to +105°C  
Contact Resistance: 10mΩ  
Insulation Resistance: 1000MΩ  
Withstanding Voltage: 1500V AC/minute  
Type: AWG #18 to #24, O.D.: 2.80mm (max)  
Material: Brass



**order information**

E508401	xx	xx	xx
Plating Option	Packaging	Special Customer	
01= gold flash	D= tape&reel	xx= on request	
100= tin	xx= on request		
	xx= on request		

	<b>Terminal Crimp</b>		
	PROJECTON		
	DATE	03.08.2017	Customer Drawing-No.:
	DRAWN	MR	Drawing-No.: 2161400
	CHECKED	BR	
APPROVED	BR	UNIT: mm	SCALE: SIZE: A4