

4

3

2

1

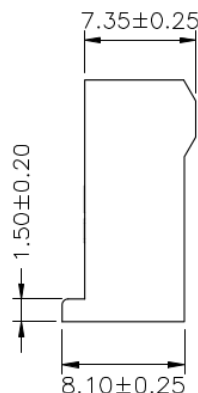
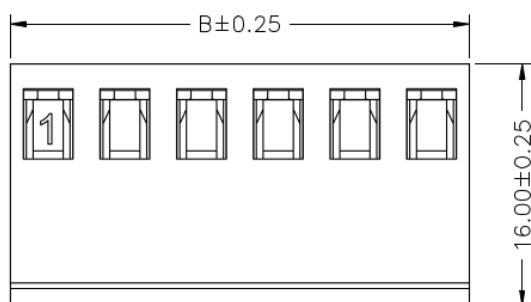
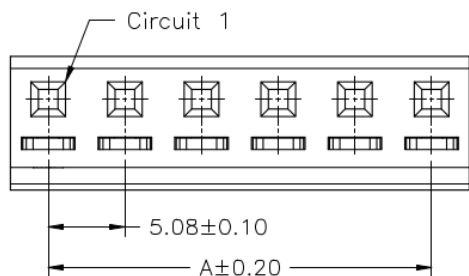
RoHS REACH compliant

REVISION DATA				
SYM	REV	DESCRIPTION	DATE	APPR.
	00	new part	03.08.17	MR

Technical Specification

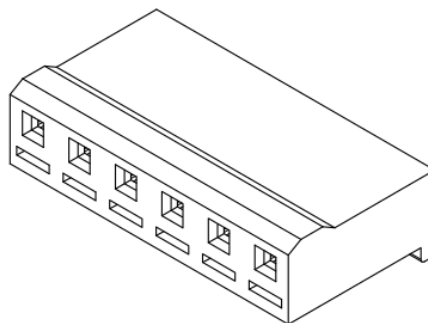
Current Rating: 7A AC, DC
 Voltage Rating: 250V AC,DC
 Temperature: -25°C to +85°C
high temperature: on request
 Contact Resistance: 10mΩ
 Insulation Resistance: 1000MΩ
 Withstanding Voltage: 1500V AC/minute
 Material: Thermoplastic, UL94V-0

Circuit No.	Dimensions	
	A	B
02P	5.08	10.08
03P	10.16	15.16
04P	15.24	20.24
05P	20.32	25.32
06P	25.40	30.40
07P	30.48	35.48
08P	35.56	40.56
09P	40.64	45.64



order information

D508402	xx	xx	xx
No. of Positions	Packaging	Special Customer	
02~09	A= bag	xx= on request	
xx= on request	xx= on request		



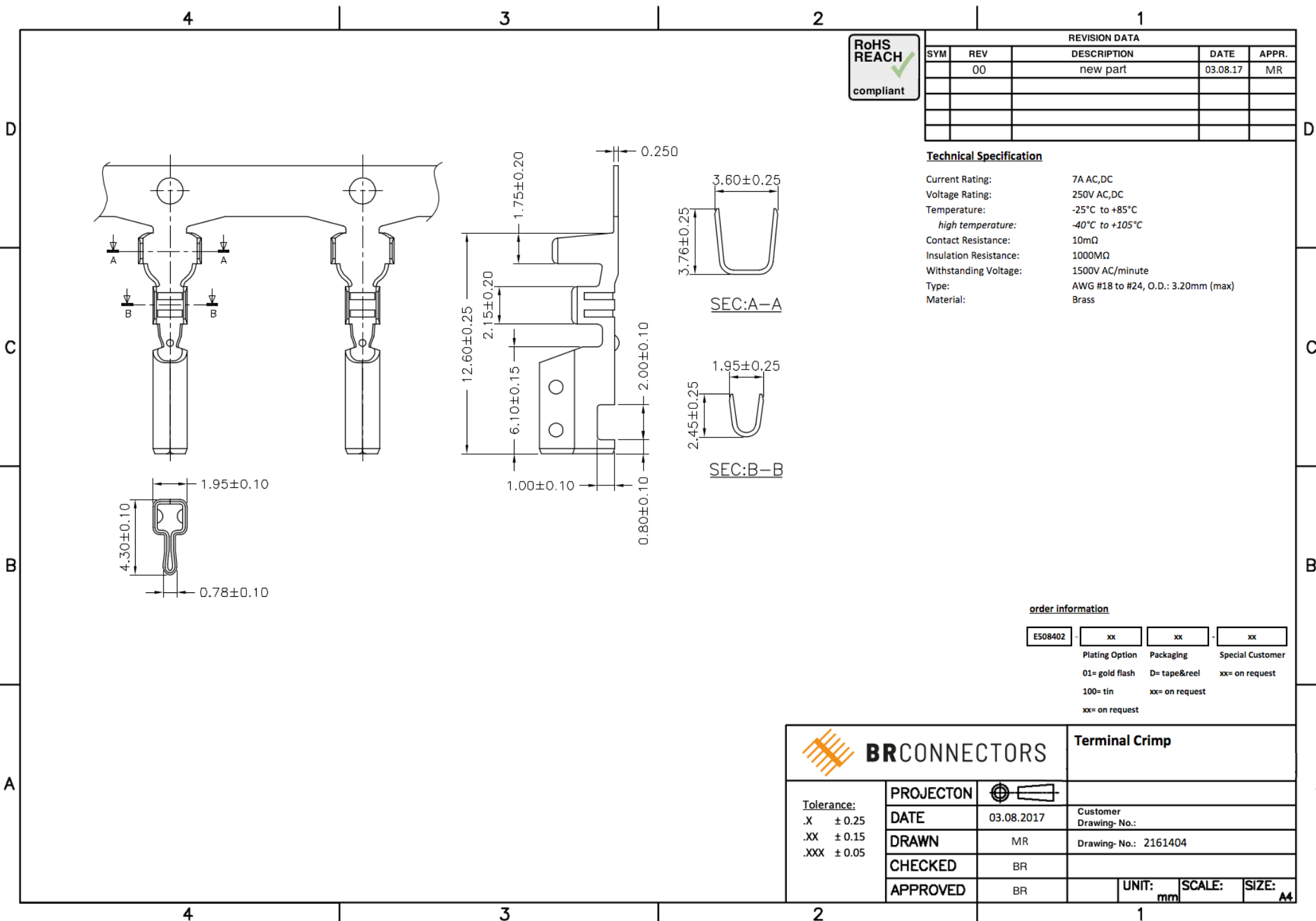
Single Row Housing Straight Type

Tolerance:
 .X ± 0.25
 .XX ± 0.15
 .XXX ± 0.05

PROJECTON	
DATE	03.08.2017
DRAWN	MR
CHECKED	BR
APPROVED	BR

Customer Drawing-No.:
 Drawing-No.: 2161401

UNIT: mm SCALE: SIZE: A4



RoHS REACH
compliant

REVISION DATA				
SYM	REV	DESCRIPTION	DATE	APPR.
	00	new part	03.08.17	MR

Technical Specification

Current Rating:	7A AC,DC
Voltage Rating:	250V AC,DC
Temperature:	-25°C to +85°C
<i>high temperature:</i>	-40°C to +105°C
Contact Resistance:	10mΩ
Insulation Resistance:	1000MΩ
Withstanding Voltage:	1500V AC/minute
Type:	AWG #18 to #24, O.D.: 3.20mm (max)
Material:	Brass

order information

E508402	xx	xx	xx
Plating Option	Packaging	Special Customer	
01= gold flash	D= tape&reel	xx= on request	
100= tin	xx= on request		
	xx= on request		

	Terminal Crimp		
	PROJECTON		Customer Drawing-No.:
	DATE	03.08.2017	Drawing-No.: 2161404
	DRAWN	MR	
	CHECKED	BR	
APPROVED	BR	UNIT: mm	SCALE: SIZE: A4

Diese Zeichnung ist ausdrücklich Eigentum der BR-connectors GmbH. Ohne vorherige Zustimmung seitens der BR-connectors GmbH darf diese nicht vervielfältigt, noch an Dritte zugänglich gemacht werden. Wir behalten uns alle Rechte vor, auch im Falle einer Patentierung nach Gebrauchsmusterprüfung.