

4

3

2

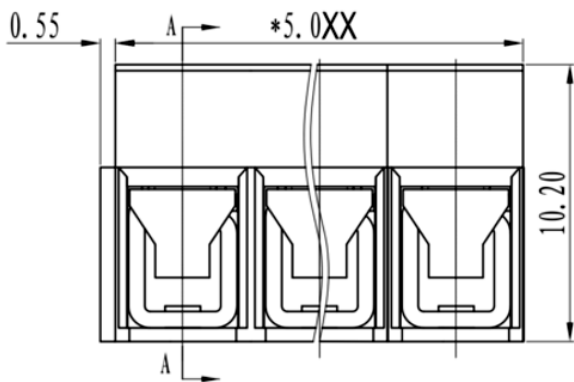
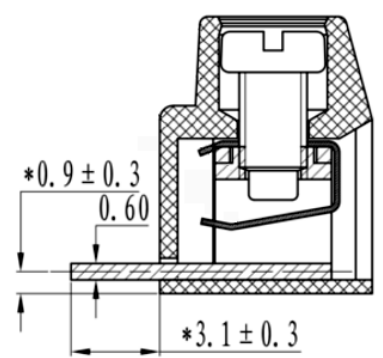
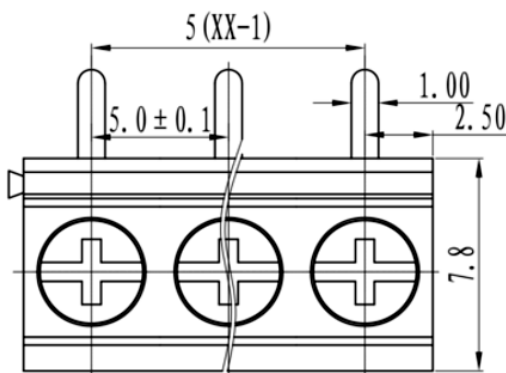
1

RoHS REACH compliant

REVISION DATA				
SYM	REV	DESCRIPTION	DATE	APPR.
	00	new part	01.03.18	AT

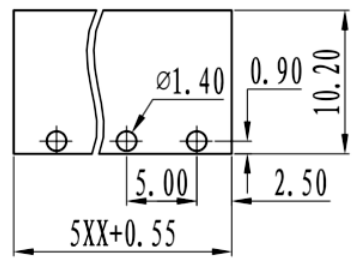
Technical Specifications

Material		
Screws:	M2.5 Steel Zn plated	
Shrapnel:	Phosphor bronze, Ni plated	
Pin header:	Brass, Sn plated	
Housing:	PA66, UL94V-0	
Electrical		
Rated voltage:	UL 300V	IEC 250V
Rated current:	8A	15A
Wire range:	26-14AWG	1.5mm ²
Contact resistance:	20mΩ	
Insulation resistance:	500MΩ/DC500V	
Withstanding voltage:	AC2000V/1Min	
Mechanical		
Temperature:	-40°C to +105°C	
Max. soldering:	+250°C/5 sec	
Torque:	3.0kgf-cm	
Strip length:	6-7mm	



order information

N50004	xx	xx	xx	xx
No. of Positions	Colour	Packing	Special Customer	
02~24	10=Green	A= bag	xx= on request	
	xx= on request	BO= Box	xx= on request	



P.C.B. LAYOUT

variable range	linear dimension(Tolerances Standard GB/T 14486-2008)											≡	—	□	//	⊥
	to 6	over 6 to 10	over 10 to 18	over 18 to 30	over 30 to 50	over 50 to 80	over 80 to 120	over 120 to 160	over 160 to 200	over 200 to 250	over 250 to					
tolerance	±0.1	±0.14	±0.19	±0.25	±0.32	±0.43	±0.57	±0.72	±0.88	±1.05	±1.25	0.5	0.025	0.06	0.12	0.4

	BRCONNECTORS		PCB Print Clamp			
	PROJECTON					
	DATE	01.03.2018	Customer Drawing-No.:			
	DRAWN	AT	Drawing-No.: 2161733			
	CHECKED	MR				
APPROVED	BR	UNIT:	SCALE:	SIZE:	A4	