

4

3

2

1

RoHS REACH compliant

REVISION DATA				
SYM	REV	DESCRIPTION	DATE	APPR.
	00	new part	05.04.18	AT

Technical Specifications

Material

Screws: M2.0 Steel Zn plated
 Clamp: Brass, Ni plated
 Cage: Brass, Ni plated
 Housing: PA66, UL94V-0
 Fix screws: M2.5 Steel Zn plated

Electrical

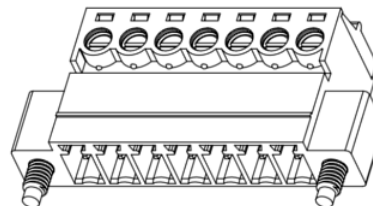
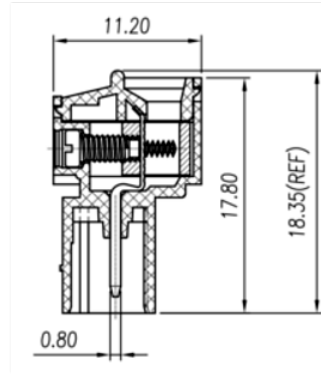
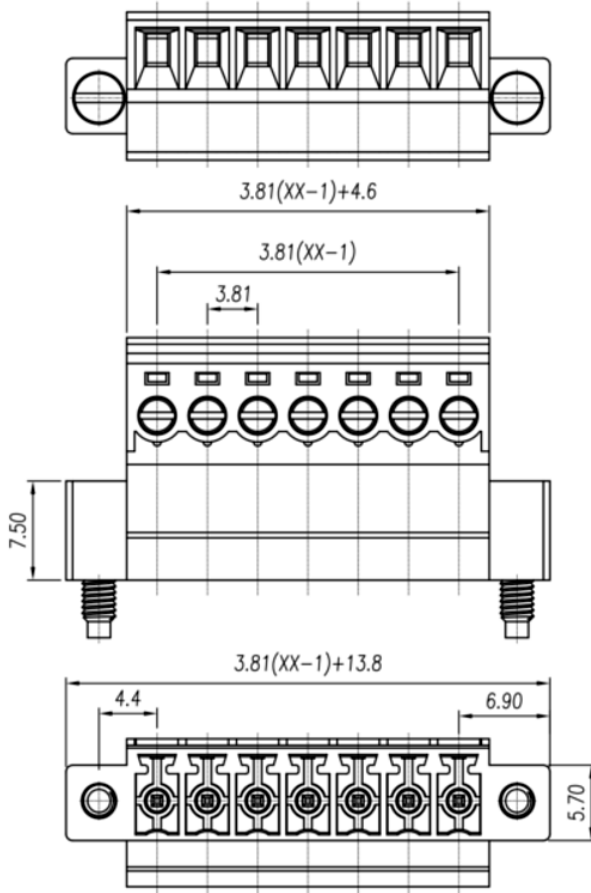
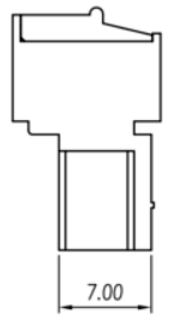
	UL	IEC
Rated voltage:	300V	250V
Rated current:	8A	10A
Wire range:	28-16AWG	1.5mm ²
Contact resistance:	20mΩ	
Insulation resistance:	500MΩ/DC500V	
Withstanding voltage:	AC2000V/1Min	

Mechanical

Temp. Range: -40°C to +105°C
 Torque: 0.2Nm/1.77Lbin
 Strip length: 6-7mm

order information

P38100	xx	xx	xx	xx
No. of Positions	Colour	Packing	Special Customer	
02~24	10=Green	A= bag		
	xx= on request	BO= Box		
		xx= on request		



linear dimension(Tolerances Standard GB/T 14486-2008)												
variable range	to	over 6 to 10	over 10 to 18	over 18 to 30	over 30 to 50	over 50 to 80	over 80 to 120	over 120 to 160	over 160 to 200	over 200 to 250	over 250 to	all
tolerance	±0.1	±0.14	±0.19	±0.25	±0.32	±0.43	±0.57	±0.72	±0.88	±1.05	±1.25	0.5
												0.025
												0.06
												0.12
												0.4

	Box Pin Header			
	PROJECTON			
	DATE	05.04.2018	Customer Drawing-No.:	
	DRAWN	AT	Drawing-No.: 2161835	
	CHECKED	MR		
APPROVED	BR	UNIT: mm	SCALE:	SIZE: A4