

4

3

2

1

RoHS REACH compliant

REVISION DATA				
SYM	REV	DESCRIPTION	DATE	APPR.
	00	new part	05.04.18	AT

Technical Specifications

Material

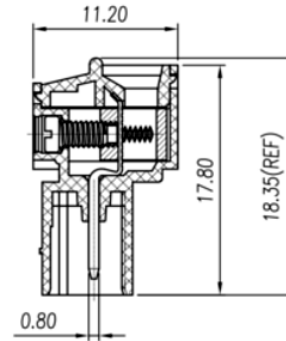
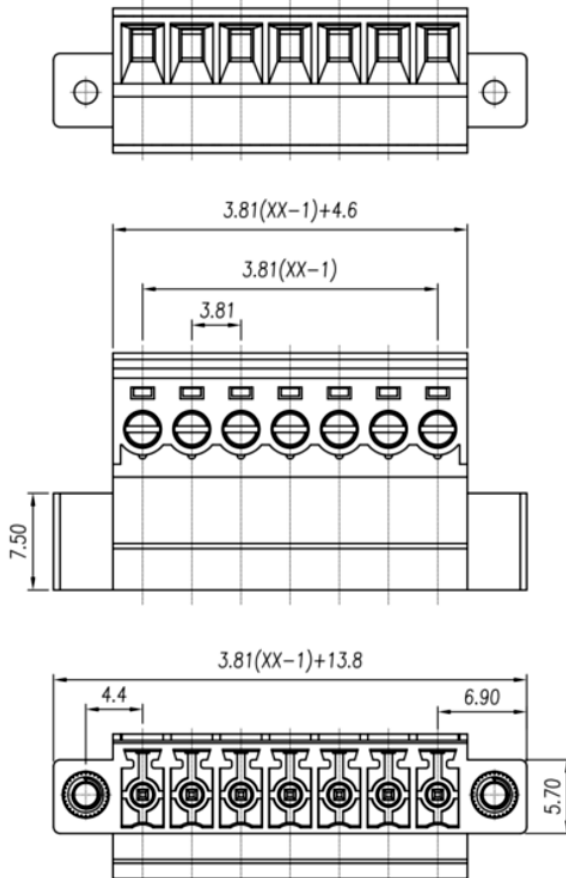
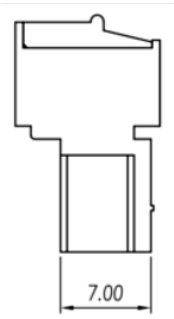
Screws: M2.0 Steel Zn plated
 Clamp: Brass, Ni plated
 Cage: Brass, Ni plated
 Housing: PA66, UL94V-0
 Nut: M2.5 Brass

Electrical

	UL	IEC
Rated voltage:	300V	250V
Rated current:	8A	10A
Wire range:	28-16AWG	1.5mm ²
Contact resistance:	20mΩ	
Insulation resistance:	500MΩ/DC500V	
Withstanding voltage:	AC2000V/1Min	

Mechanical

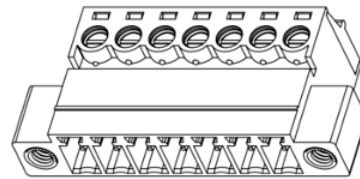
Temp. Range: -40°C to +105°C
 Torque: 0.2Nm/1.77Lbin
 Strip length: 6-7mm



order information

P38103	xx	xx	xx	xx
No. of Positions	Colour	Packing	Special Customer	
02~24	10=Green	A= bag		
	xx= on request	BO= Box		
		xx= on request		

linear dimension(Tolerances Standard GB/T 14486-2008)													≡	—	□	//	⊥
variable range	to 6	over 6 to 10	over 10 to 18	over 18 to 30	over 30 to 50	over 50 to 80	over 80 to 120	over 120 to 160	over 160 to 200	over 200 to 250	over 250 to	all	to 5	over 5 to 30	over 30 to 120	over 120 to	
tolerance	±0.1	±0.14	±0.19	±0.25	±0.32	±0.43	±0.57	±0.72	±0.88	±1.05	±1.25	0.5	0.025	0.06	0.12	0.4	



	PROJECTON				
	DATE	05.04.2018	Customer Drawing-No.:		
	DRAWN	AT	Drawing-No.: 2161834		
	CHECKED	MR			
APPROVED	BR	UNIT:	SCALE:	SIZE:	A4