

4

3

2

1

RoHS REACH compliant

REVISION DATA				
SYM	REV	DESCRIPTION	DATE	APPR.
	00	new part	13.04.18	AT

Technical Specifications

Material

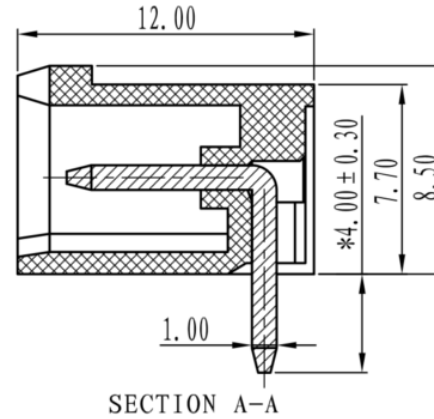
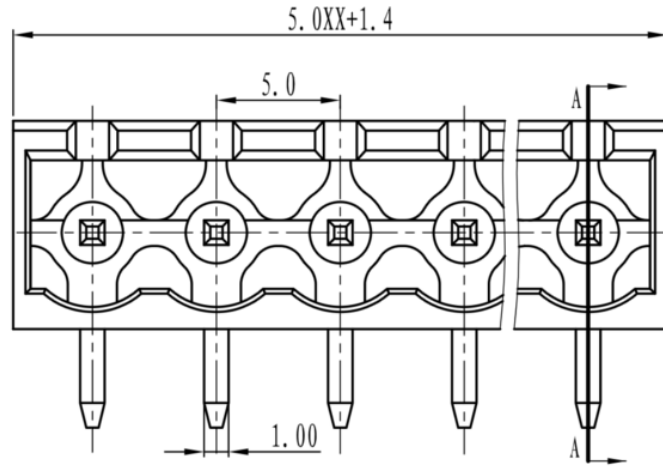
Pin header: Brass, Sn plated
 Housing: PA66, UL94V-0

Electrical

UL IEC
 Rated voltage: 300V 320V
 Rated current: 15A 20A
 Contact resistance: 20mΩ
 Insulation resistance: 500MΩ/DC500V
 Withstanding voltage: AC2000V/1Min

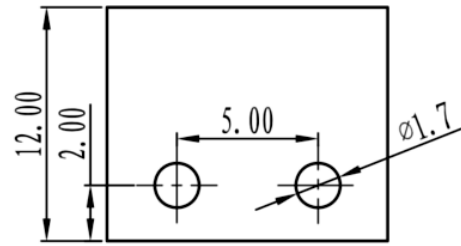
Mechanical

Temp. Range: -40°C to +105°C
 Max. soldering: +250°C/5 sec



order information

P50003	-	xx	xx	xx	xx
No. of Positions	Colour	Packing	Special Customer		
02~24	10=Green	A= bag			
	xx= on request	BO= Box			
		xx= on request			



variable range	linear dimension				fillet	chamfer	short angle sid	=	-	□	//	⊥					
	to	over	over	over													
6 to 6	6 to 30	30 to 120	120 to 480	480 to all	to 6	to 6	to 10	to 10	to 5	to 5	to 30	to 120					
tolerance	±0.1	±0.2	±0.3	±0.5	±0.9	±0.2	±0.5	±1	1°	30°	20°	10°	0.5	0.025	0.06	0.12	0.4

		Box Pin Header		
PROJECTON				
DATE	13.04.2018	Customer Drawing-No.:		
DRAWN	AT	Drawing-No.: 2161896		
CHECKED	MR			
APPROVED	BR	UNIT: mm	SCALE:	SIZE: A4