

4

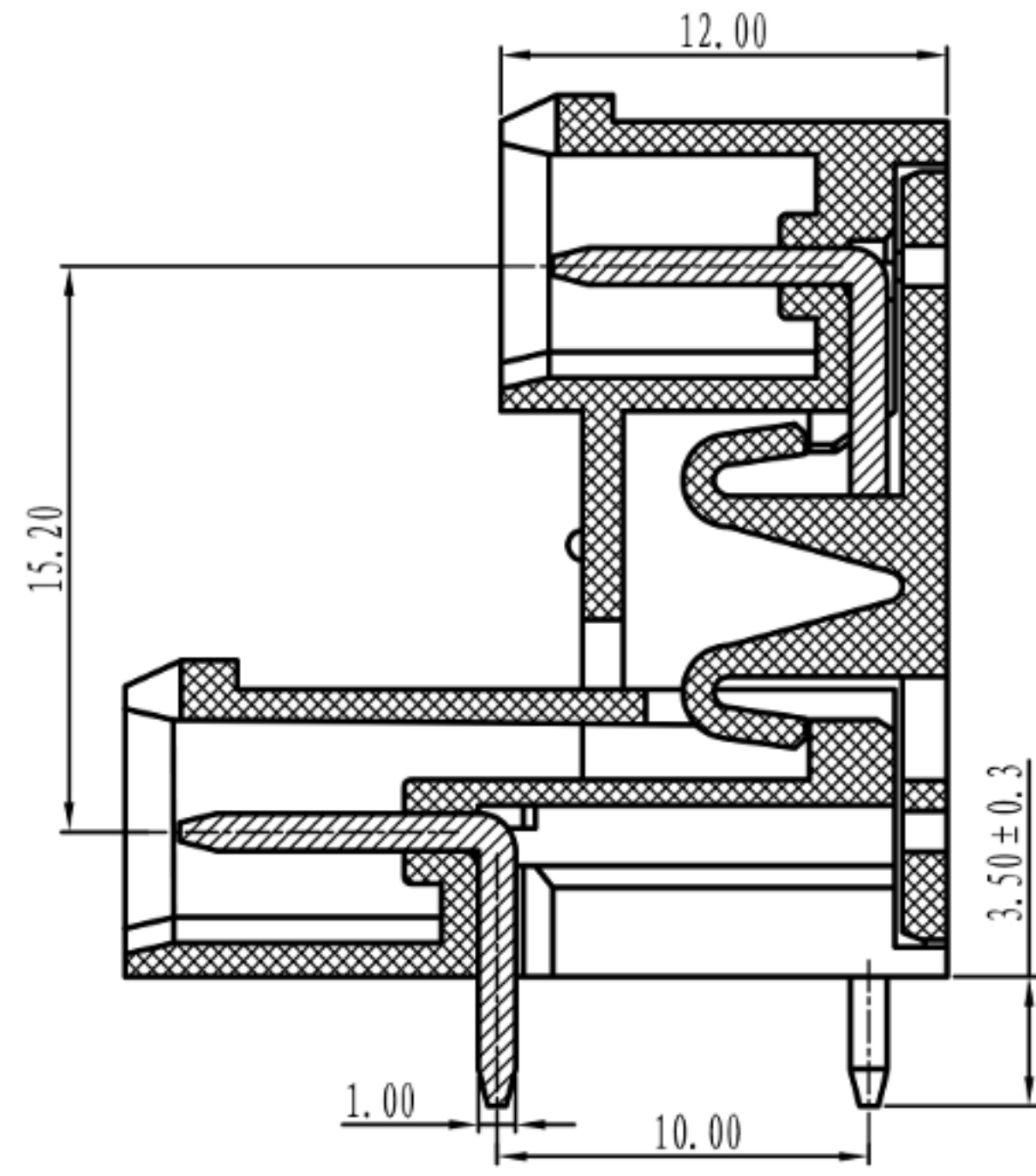
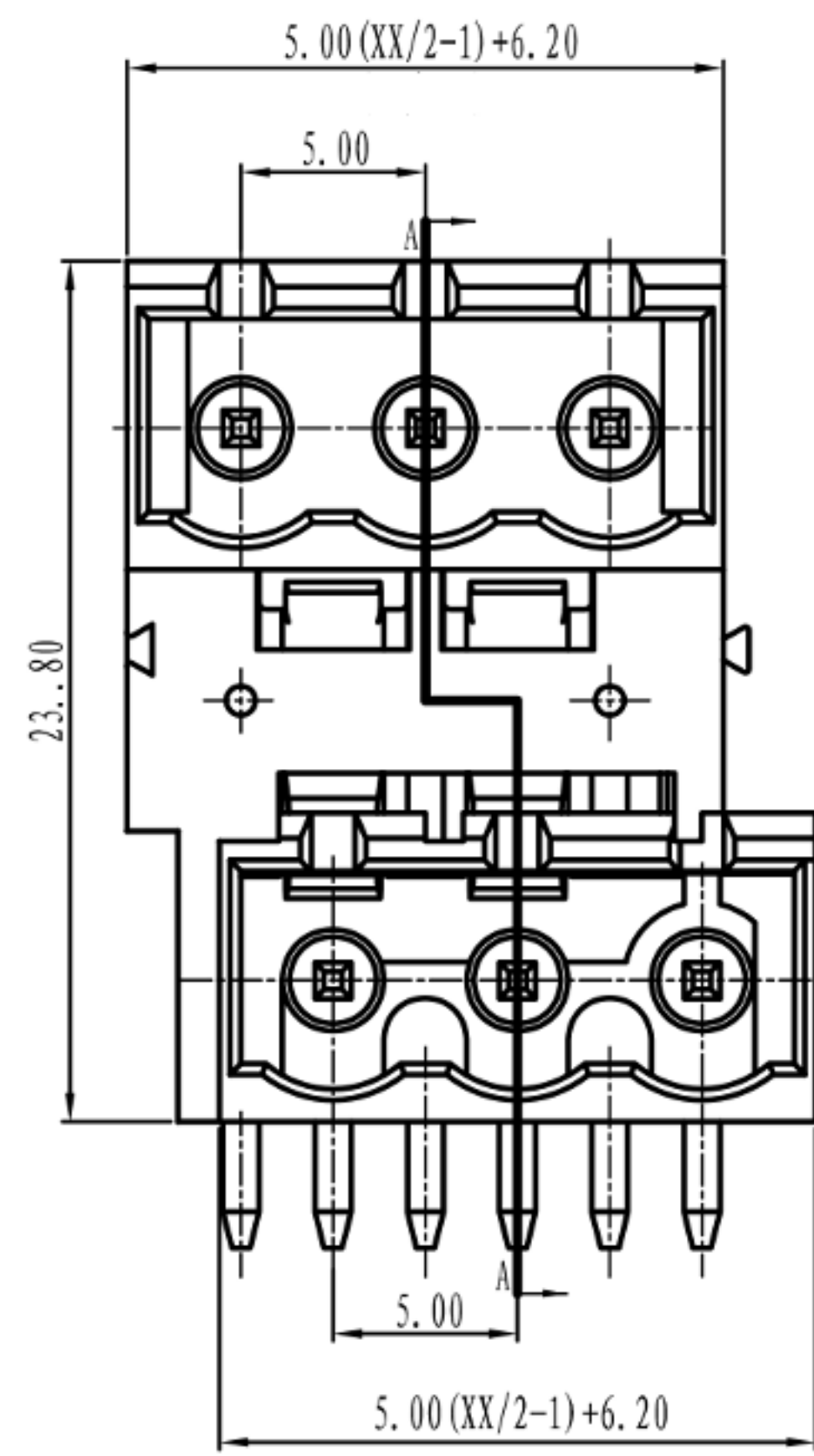
3

2

1

RoHS REACH compliant

| REVISION DATA | | | | |
|---------------|-----|-------------|----------|-------|
| SYM | REV | DESCRIPTION | DATE | APPR. |
| | 00 | new part | 13.04.18 | AT |
| | | | | |
| | | | | |
| | | | | |



SECTION A-A

Technical Specifications

Material

Pin header: Brass, Sn plated
 Housing: PA66, UL94V-0

Electrical

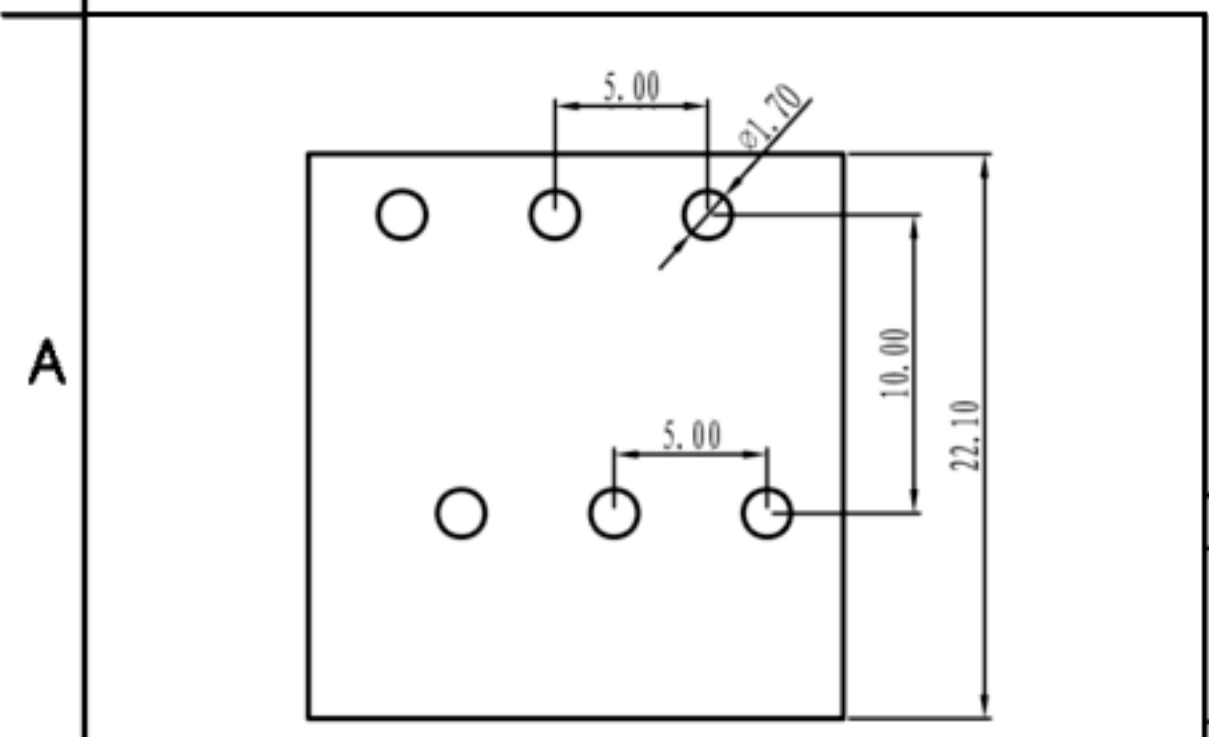
| | UL | IEC |
|------------------------|--------------|------|
| Rated voltage: | 300V | 320V |
| Rated current: | 15A | 20A |
| Contact resistance: | 20mΩ | |
| Insulation resistance: | 500MΩ/DC500V | |
| Withstanding voltage: | AC2000V/1Min | |

Mechanical

Temp. Range: -40°C to +105°C
 Max. soldering: +250°C/5 sec

order information

| | | | | | |
|------------------|---|--|-------------------------------------|------------------|----|
| P50044 | - | XX | xx | XX | XX |
| No. of Positions | | Color | Packing | Special Customer | |
| 02~24 | | 10=Green 40=Black xx= on request | A= bag BO= Box xx= on request | xx= on request | |



| | linear dimension | | | | | fillet | chanfer | short angle sid | | | | | ≡ | - | □ | // | ⊥ |
|----------------|------------------|--------------|----------------|-----------------|-------------|--------|---------|-----------------|-------------|----------------|-------------|-----|------|--------------|----------------|-------------|-----|
| variable range | to 6 | over 6 to 30 | over 30 to 120 | over 120 to 480 | over 480 to | all | to 6 | over 6 to 10 | to 10 to 50 | over 50 to 120 | over 120 to | all | to 5 | over 5 to 30 | over 30 to 120 | over 120 to | |
| tolerance | ±0.1 | ±0.2 | ±0.3 | ±0.5 | ±0.9 | ±0.2 | ±0.5 | ±1 | 1° | 30° | 20° | 10° | 0.5 | 0.025 | 0.06 | 0.12 | 0.4 |

BRCONNECTORS Box Pin Header

| | | |
|-----------|------------|--------------------------|
| PROJECTON | | |
| DATE | 13.04.2018 | Customer Drawing- No.: |
| DRAWN | AT | Drawing- No.: 2161881 |
| CHECKED | MR | |
| APPROVED | BR | UNIT: mm SCALE: SIZE: A4 |

Diese Zeichnung ist ausdrücklich Eigentum der Conectronics GmbH. Ohne vorherige Zustimmung seitens der Conectronics GmbH darf diese nicht vervielfältigt, noch an Dritte zugänglich gemacht werden. Wir behalten uns alle Rechte vor, auch im Falle einer Patentierung nach Gebrauchsmusterprüfung