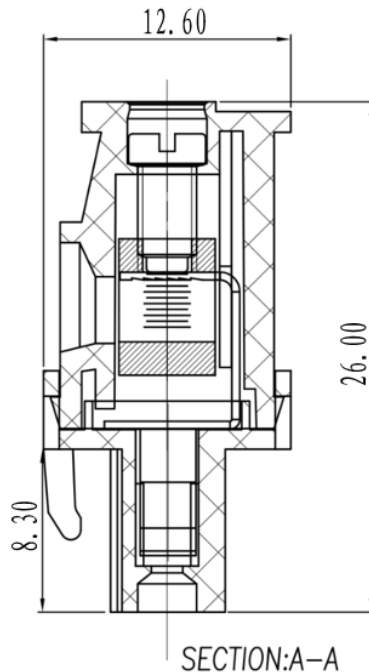


linear dimension (Tolerances Standard GB/T 14486-2008)													≡	—	□	//	⊥			
variable range	to 6	over 6 to 10	over 10 to 18	over 18 to 30	over 30 to 50	over 50 to 80	over 80 to 120	over 120 to 160	over 160 to 200	over 200 to 250	all	to 5	over 5 to 30	over 30 to 120	over 120 to					
tolerance	±0.1	±0.14	±0.19	±0.25	±0.32	±0.43	±0.57	±0.72	±0.88	±1.05	±1.25	0.5	0.025	0.06	0.12	0.4				



RoHS REACH  
compliant

REVISION DATA				
SYM	REV	DESCRIPTION	DATE	APPR.
	00	new part	13.04.18	AT

**Technical Specifications**

**Material**

Screws: M3.0 Steel Zn plated  
 Clamp: Phosphor bronze, Ni plated  
 Cage: Brass, Ni plated  
 Housing: PA66, UL94V-0

**Electrical**

UL IEC  
 Rated voltage: 300V 450V  
 Rated current: 15A 17.5A  
 Wire range: 28-14AWG 1.5mm<sup>2</sup>  
 Contact resistance: 20mΩ  
 Insulation resistance: 500MΩ/DC500V  
 Withstanding voltage: AC2000V/1Min

**Mechanical**

Temp. Range: -40°C to +105°C  
 Max. soldering: +250°C/5 sec  
 Torque: 0.5Nm/4.5Lbin  
 Strip length: 7-8mm

**order information**

Q50004	-	xx	xx	xx	xx
No. of Positions		Colour	Packing	Special Customer	
02~24		10=Green	A= bag		
		xx= on request	BO= Box		
			xx= on request		

	<b>Plug-in Terminal Block</b>		
	PROJECTON		
	DATE	13.04.2018	Customer Drawing-No.:
	DRAWN	AT	Drawing-No.: 2161929
	CHECKED	MR	
APPROVED	BR	UNIT: mm	SCALE: SIZE: A4